

## Item description/product images



## Description

**Material:**

Housing, cap in thermoplastic polyamide 66.  
Zinc dipstick.  
O-ring in rubber (NBR).

**Version:**

Housing black.  
Cap red.  
Dipstick phosphated.

**Note:**

Temperature resistant to 100°C.

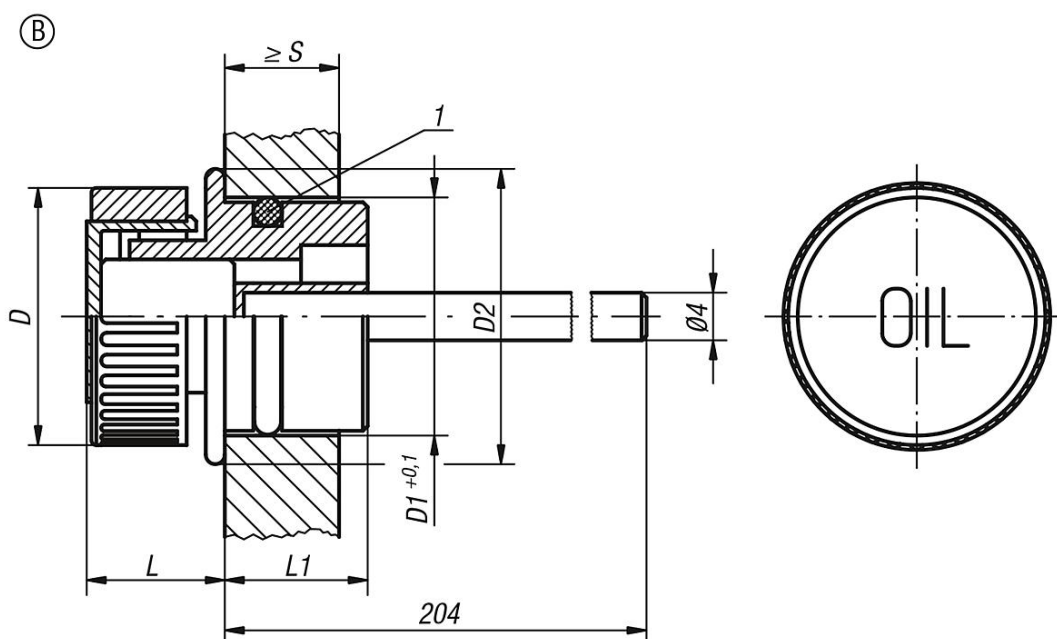
**On request:**

Min-Max markings.

**Drawing reference:**

1) O-ring

## Drawings



## Overview of items

Order No.	Form	D	D1	D2	L	L1	S min.
28048-23018	B	30	18	23	14	14	8

