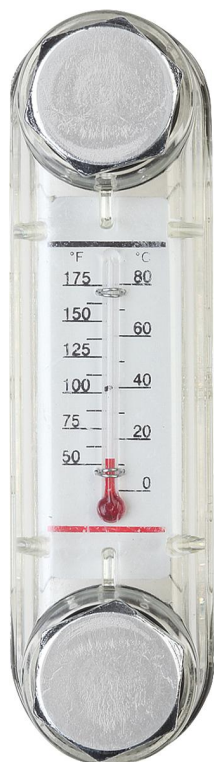


Item description/product images



Description

Material:

Housing thermoplastic polyamide.
 O-ring and flat seal rubber (NBR).
 Reflector aluminium.
 Screw and hex nut steel.

Version:

Transparent housing, high mechanical stability, non-ageing, temperature resistant up to 100 °C.
 Pressure resistant at 20 °C up to 10 bar, at 60 °C up to 8 bar.
 Reflector painted white, line marks and scale black.
 Screw and hexagon nut, electro zinc-plated.

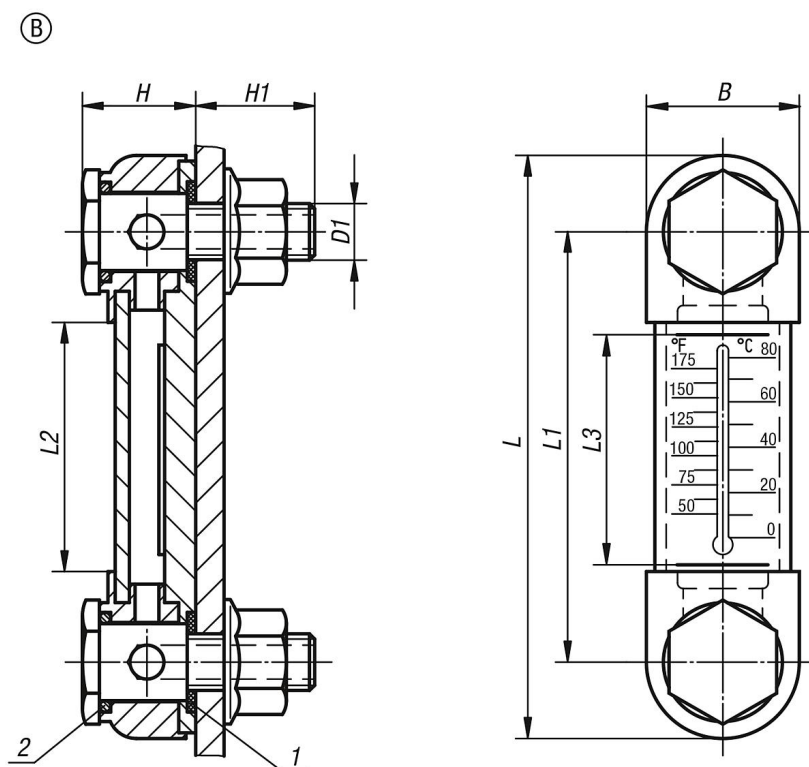
Note:

The oil level gauges can either be fastened as shown in the illustration or screwed directly into a tapped hole. Centre distance for the fastening holes = $L1 \pm 0.3$.
 The max. tightening torque for the fastening screws is 5 Nm.

Drawing reference:

- 1) flat seal
- 2) O-ring

Drawings



Overview of items

Order No.	Form	B	D1	H	H1	L	L1	L2	L3	Number of fastening screws	Thermometer scale
28000-2076	B	27	M10	20	21	103	76	44	37	2	0 - 80 °C / 50 - 175 °F

Overview of items

Order No.	Form	B	D1	H	H1	L	L1	L2	L3	Number of fastening screws	Thermometer scale
28000-2127	B	27	M12	19	18	151	127	95	80	2	0 - 100 °C / 50 - 200 °F