

Item description/product images



Description

Material:

Housing steel plate.

Wheel body PA 6 with abrasion-resistant polyurethane tread.

Version:

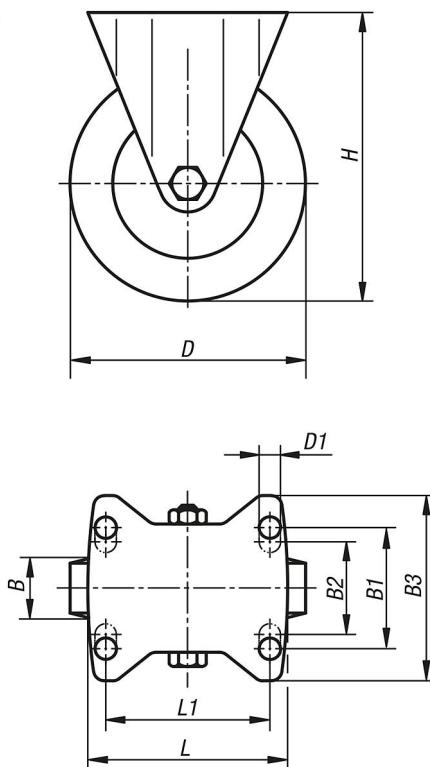
Pressed housing; wheels with slide bearing

Note:

The wheels are unbreakable, maintenance-free and non-corroding. Wheel axle bolted. Tread non-marking.

Drawings

fixed castor



Overview of items

Order No.	Item	Version 1	Wheel bearing	B	B1	B2	B3	D	D1	H	L	L1	Permissible load kg
95024-100351	Fixed castor	without locking system	plain bearing	35	60	-	85	100	9	125	100	80	200
95024-125351	Fixed castor	without locking system	plain bearing	40	60	-	85	125	9	150	100	80	200
95024-150401	Fixed castor	without locking system	plain bearing	45	80	75	110	150	11	190	140	105	400
95024-200501	Fixed castor	without locking system	plain bearing	50	80	75	110	200	11	235	140	105	400

