

Item description/product images



Description

Material:

Steel electro zinc-plated.

Note:

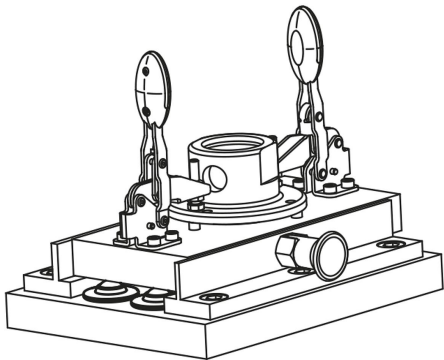
Ball transfer units with fastening holes for easy installation and removal.

Drawing reference:

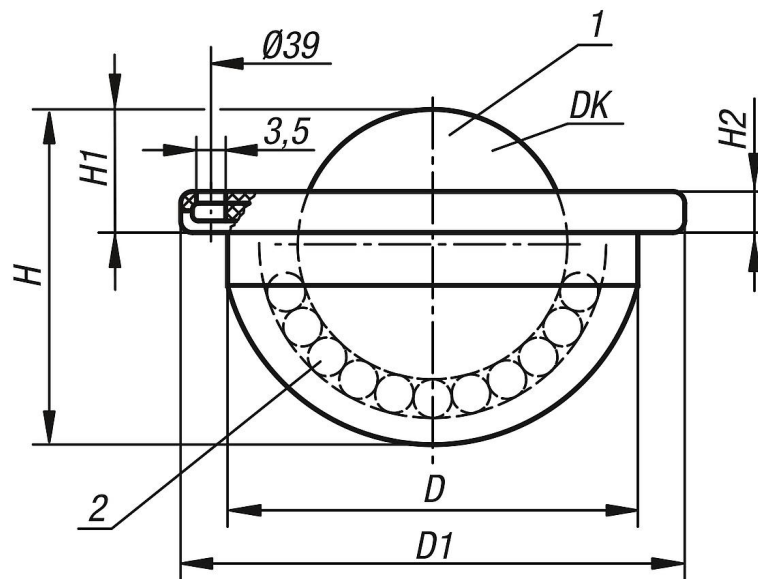
- 1) load ball
- 2) bearing balls

Form B: cap and housing electro zinc-plated, balls steel

Form C: cap and housing electro zinc-plated, balls stainless steel



Drawings



Overview of items

Order No.	Form	DK	D	D1	H	H1	H2	No. of fastening holes	Load rating C (N)
95158-122	B	22	33-0,2	45	27,7	9,8±0,2	5	3	1200
95158-222	C	22	33-0,2	45	27,7	9,8±0,2	5	3	900

