

Item description/product images



Description

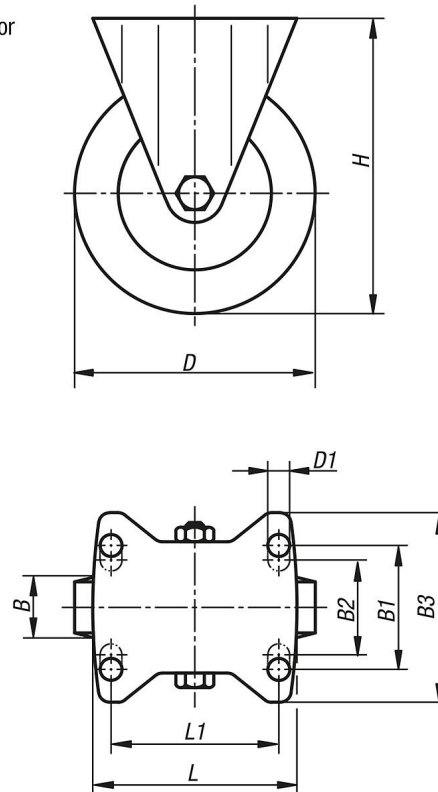
Material:
Housing thick steel plate.
Wheels PA 6.

Version:
Pressed housing

Note:
Wheel axle bolted. The wheels are particularly shock and impact proof and have high abrasion resistance.

Drawings

fixed castor



Overview of items

Order No.	Item	Version 1	Wheel bearing	B	B1	B2	B3	D	D1	H	L	L1	Permissible load kg
95036-100371	Fixed castor	without locking system	plain bearing	37	60	-	85	100	9	140	100	80	280
95036-125401	Fixed castor	without locking system	plain bearing	40	60	-	85	125	9	165	100	80	300
95036-150501	Fixed castor	without locking system	plain bearing	50	80	75	110	150	11	197	140	105	400
95036-200501	Fixed castor	without locking system	plain bearing	50	80	75	110	200	11	245	140	105	600

