

Item description/product images



Description

Material:

Housing steel plate.

Wheel body PA 6 with vulcanised elastic solid rubber tyre.

Version:

Housing press formed.

Double ball bearing with ball shield in castor head.

Roller bearings in the wheels.

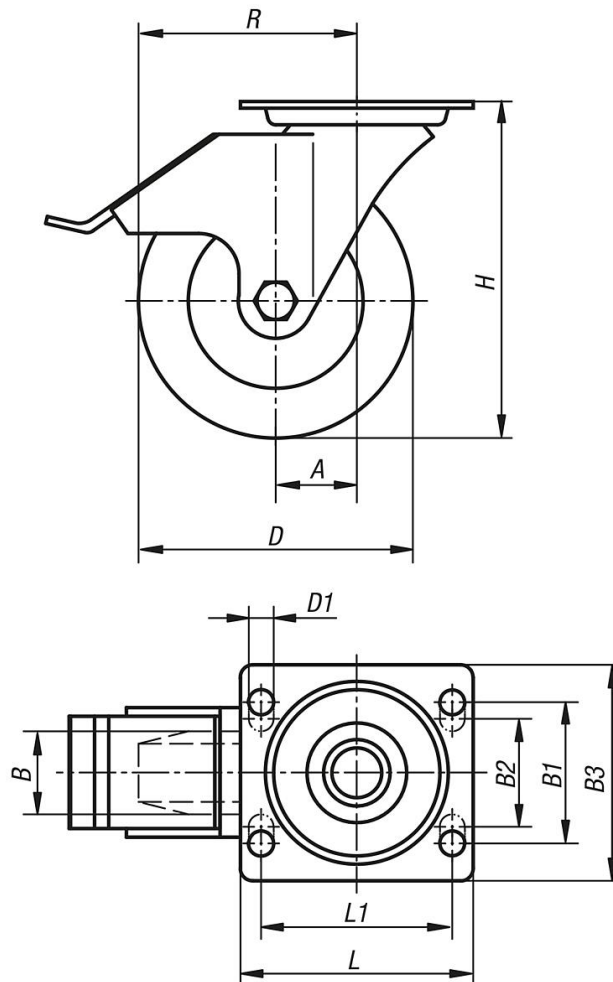
Note:

Wheel axle bolted.

Wheels are shock and impact proof.

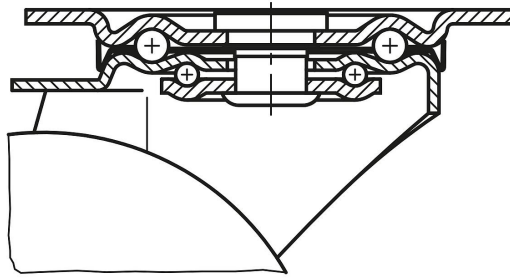
Drawings

swivel castor
with "stop-fix"



Drawings

swivel head bearing



Overview of items

Order No.	Item	Version 1	Wheel bearing	A	B	B1	B2	B3	D	D1	H	L	L1	R	Permissible load kg
95018-100372	Swivel castor	with stop-fix locking system	roller bearing	36	32	-	60	85	100	9	125	100	80	86	170
95018-125372	Swivel castor	with stop-fix locking system	roller bearing	40	37	-	60	85	125	9	150	100	80	102,5	200
95018-160502	Swivel castor	with stop-fix locking system	roller bearing	60	50	75	80	110	160	11	195	140	105	140	350
95018-200502	Swivel castor	with stop-fix locking system	roller bearing	65	50	75	80	110	200	11	235	140	105	165	400