

Item description/product images



Description

Material:

Housing steel plate.
Wheel treads solid rubber.
Wheel rims polyamide.

Version:

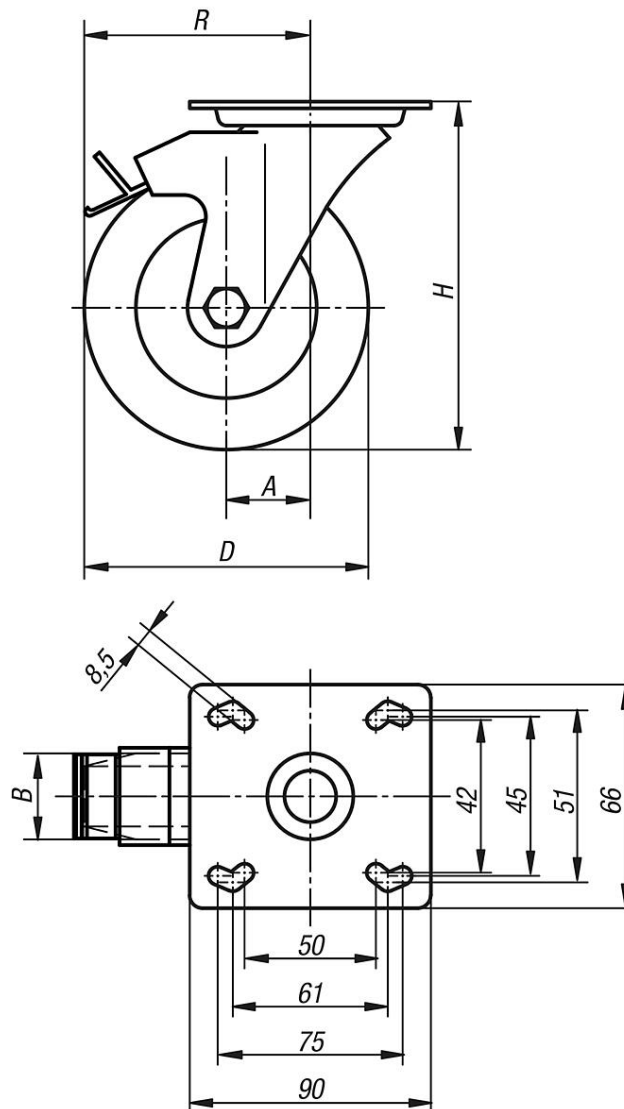
Housing press formed.
Double ball bearing in the castor head.
Plain bearing in wheels.

Note:

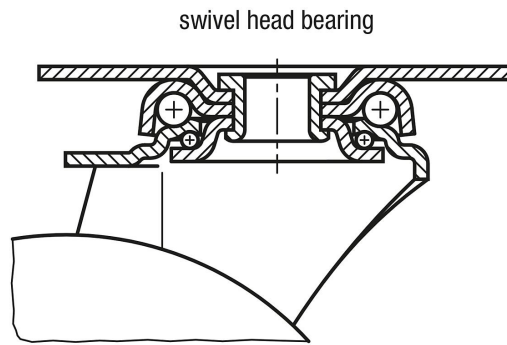
Wheel axle bolted.
Solid rubber tyres are shock and impact proof and non-corroding.

Drawings

swivel castor
with "stop-fix"



Drawings



Overview of items

Order No.	Item	Version 1	Wheel bearing	A	B	D	H	R	Permissible load kg
95012-080252	Swivel castor	with stop-fix locking system	plain bearing	40	25	80	111	80	60
95012-100322	Swivel castor	with stop-fix locking system	plain bearing	40	32	100	136	90	90
95012-125252	Swivel castor	with stop-fix locking system	plain bearing	40	25	125	161	102,5	80
95012-125322	Swivel castor	with stop-fix locking system	plain bearing	40	32	125	161	102,5	100