

## Item description/product images



## Description

**Material:**

Wheel axle bolted. The wheels are particularly shock and impact proof and have high abrasion resistance.

**Version:**

Housing press formed.

Swivel castor housing with strong fork and base plate, very robust centre pin bolted and secured. The swivel head is additionally reinforced with specially formed and hardened bearing shells.

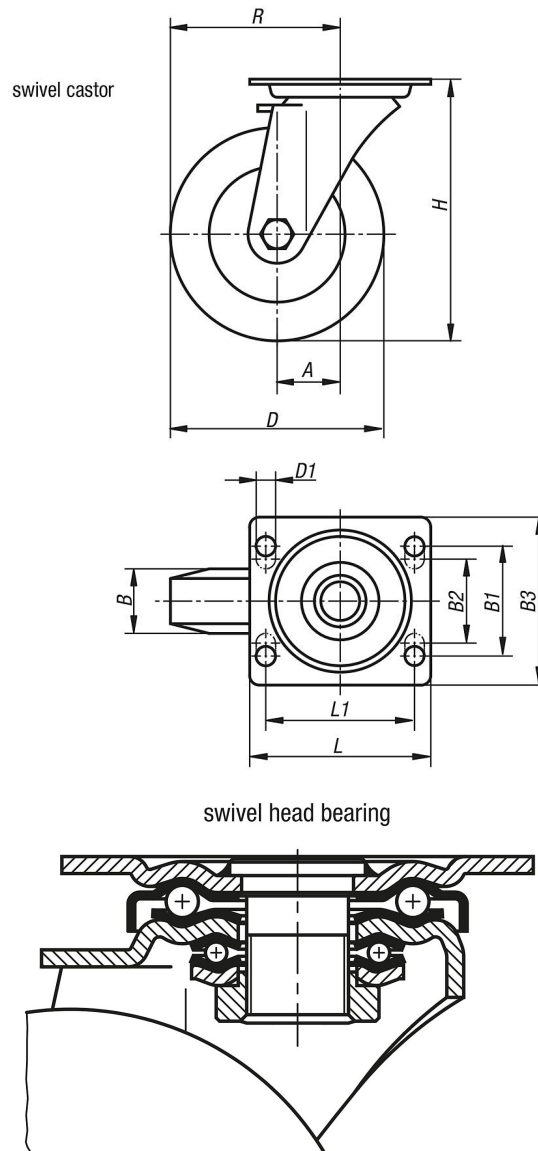
Plain bearings in the wheels.

**Note:**

Housing thick steel plate.

Wheels PA 6.

## Drawings



## Overview of items

Order No.	Item	Version 1	Wheel bearing	A	B	B1	B2	B3	D	D1	H	L	L1	R	Permissible load kg
95036-10037	Swivel castor	without locking system	plain bearing	45	37	60	-	85	100	9	140	100	80	95	280
95036-12540	Swivel castor	without locking system	plain bearing	45	40	60	-	85	125	9	165	100	80	107,5	300
95036-15050	Swivel castor	without locking system	plain bearing	65	50	80	75	110	150	11	197	140	105	140	400
95036-20050	Swivel castor	without locking system	plain bearing	70	50	80	75	110	200	11	245	140	105	170	600