

Item description/product images



Description

Material:

Steel or stainless steel A2.

Version:

Electro zinc-plated steel.

Bright stainless steel.

Note:

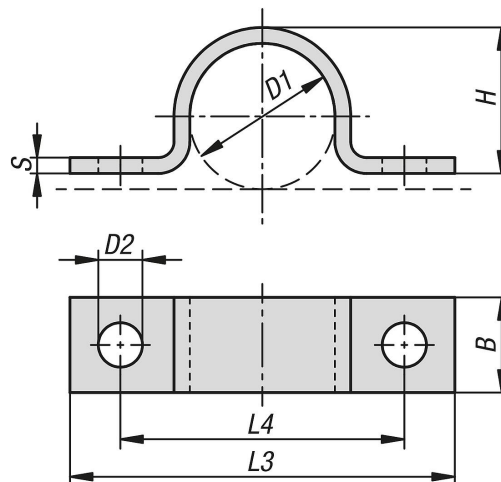
Double leg pipe clips, pre-tensioned, DIN 1597 lightweight design.

These pipe clips are used to fasten and install lightweight pipes, cables and various cylindrical parts.

The pipe clips are designed to grip the pipe. Optimum clamping is achieved by tightening the fastening screws.

D1 = 33 and D1 = 52 are similar to DIN 1597.

Drawings



Overview of items

Order No.	Main material	Surface finish body	B	D1	D2	H	L3	L4	S	Clamping range D1 inches	Clamping range D1 mm
07850-11-10070	steel	galvanised	16	7	5.5	5	44	28	1,5	0.22-0.28	5,5-7
07850-11-10090	steel	galvanised	16	9	5.5	6	48	32	1,5	0.28-0.35	7-9
07850-11-10130	steel	galvanised	16	13	5.5	9	52	36	1,5	0.39-0.51	9,5-13
07850-11-10155	steel	galvanised	16	15.5	5.5	12	56	40	1,5	0.51-0.61	13-15,5
07850-11-10190	steel	galvanised	16	19	5.5	15	60	44	1,5	0.61-0.75	15,5-19
07850-11-10230	steel	galvanised	20	23	6.6	19	76	56	2	0.79-0.91	20-23
07850-11-10260	steel	galvanised	20	26	6.6	22	78	58	2	0.91-1.02	23-26
07850-11-10285	steel	galvanised	20	28.5	6.6	24	84	64	2	1.02-1.12	26-28,5
07850-11-10310	steel	galvanised	20	31	6.6	27	84	64	2	1.12-1.22	28,5-31
07850-11-10330	steel	galvanised	20	33	6,6	29	92	72	2	1.22-1.30	31-33
07850-11-10360	steel	galvanised	25	36	9	32	104	80	3	1.3-1.42	33-36
07850-11-10390	steel	galvanised	25	39	9	34	108	84	3	1.42-1.54	36-39
07850-11-10430	steel	galvanised	25	43	9	38	112	88	3	1.54-1.69	39-43
07850-11-10460	steel	galvanised	25	46	9	41	114	90	3	1.69-1.81	43-46
07850-11-10490	steel	galvanised	30	49	11	44	118	90	3	1.81-1.93	46-49

Overview of items

Order No.	Main material	Surface finish body	B	D1	D2	H	L3	L4	S	Clamping range D1 inches	Clamping range D1 mm
07850-11-10520	steel	galvanised	30	52	11	47	134	106	3	1.93-2.05	49-52
07850-11-10580	steel	galvanised	30	58	11	52	138	110	3	2.09-2.28	53-58
07850-11-10610	steel	galvanised	30	61	11	56	138	110	3	2.28-2.4	58-61
07850-11-40070	stainless steel	bright	16	7	5.5	5	44	28	1,5	0.22-0.28	5,5-7
07850-11-40090	stainless steel	bright	16	9	5.5	6	48	32	1,5	0.28-0.35	7-9
07850-11-40130	stainless steel	bright	16	13	5.5	9	52	36	1,5	0.39-0.51	9,5-13
07850-11-40155	stainless steel	bright	16	15.5	5.5	12	56	40	1,5	0.51-0.61	13-15,5
07850-11-40190	stainless steel	bright	16	19	5.5	15	60	44	1,5	0.61-0.75	15,5-19
07850-11-40230	stainless steel	bright	20	23	6.6	19	76	56	2	0.79-0.91	20-23
07850-11-40260	stainless steel	bright	20	26	6.6	22	78	58	2	0.91-1.02	23-26
07850-11-40285	stainless steel	bright	20	28.5	6.6	24	84	64	2	1.02-1.12	26-28,5
07850-11-40310	stainless steel	bright	20	31	6.6	27	84	64	2	1.12-1.22	28,5-31
07850-11-40330	stainless steel	bright	20	33	6,6	29	92	72	2	1.22-1.30	31-33
07850-11-40360	stainless steel	bright	25	36	9	32	104	80	3	1.3-1.42	33-36
07850-11-40390	stainless steel	bright	25	39	9	34	108	84	3	1.42-1.54	36-39
07850-11-40430	stainless steel	bright	25	43	9	38	112	88	3	1.54-1.69	39-43
07850-11-40460	stainless steel	bright	25	46	9	41	114	90	3	1.69-1.81	43-46
07850-11-40490	stainless steel	bright	30	49	11	44	118	90	3	1.81-1.93	46-49
07850-11-40520	stainless steel	bright	30	52	11	47	134	106	3	1.93-2.05	49-52
07850-11-40580	stainless steel	bright	30	58	11	52	138	110	3	2.09-2.28	53-58
07850-11-40610	stainless steel	bright	30	61	11	56	138	110	3	2.28-2.4	58-61