

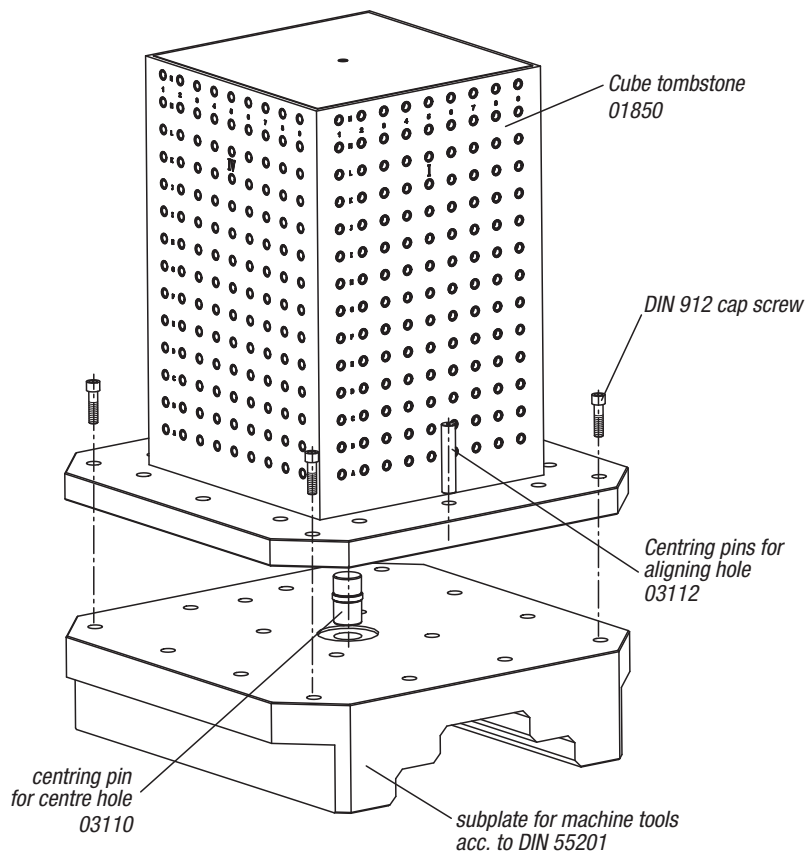
Positioning the base elements

Single side tombstone 01263, double side tombstone 01265, cube tombstone 01850 and subplates 01148 have two positioning options:

a) Positioning on subplates for machine-tools acc. to DIN 55 201.

Positioning procedure:

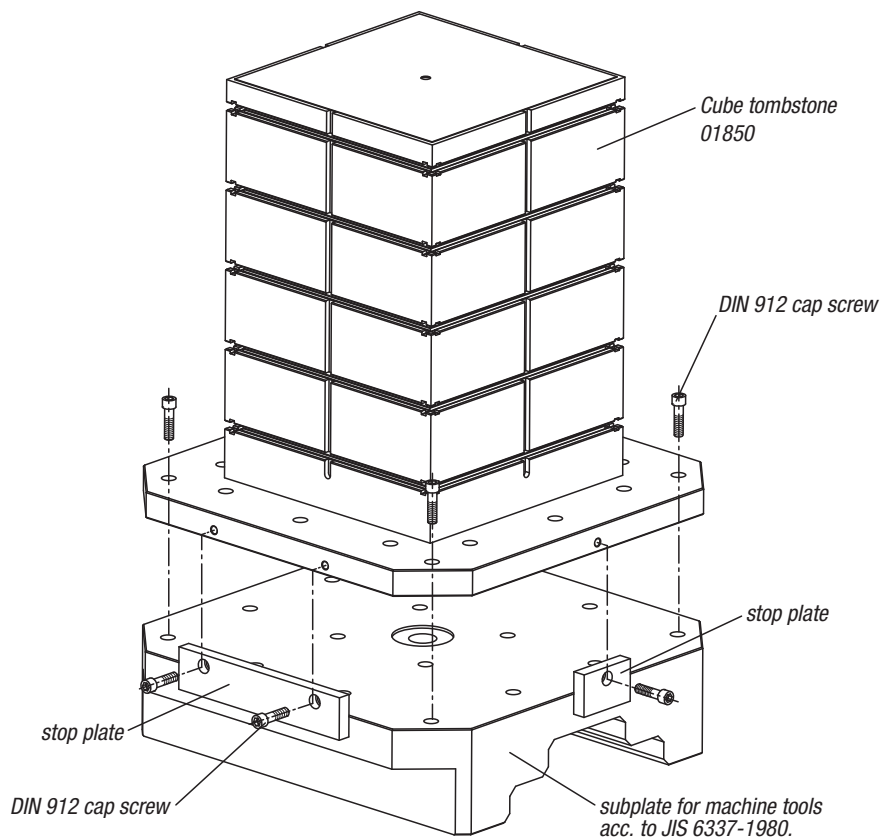
1. Insert locating pin in the centre bore of the subplate.
2. Position the tombstones, cube tombstones and subplates over the central hole.
3. Use the locating pin for the aligning hole to align the basic elements.



b) Positioning on subplates for machine tools acc. to JIS 6337-1980.

Positioning procedure:

1. Mount stop plates on the machine table.
2. Attach stop points to the reference faces (stop plates) using socket head screws.



on machine tables

Locating pins are used for positioning tooling plates 01126. The tooling plates each have four precision holes for the locating pins (two holes on each axis).

An M6 screw inserted into the head of the locating pin is used to insert this pin accurately into the T-slots or to remove it.

