

Item description/product images

**Description****Material:**

Sprocket steel.
Ball bearing chrome steel.
Screw and nut steel.

Version:

Sprocket teeth hardened to HRC 50, electro zinc-plated.
Ball bearing with sealing discs 2Z-C3.
Screw ISO 4017, grade 8.8, electro zinc-plated.
Nut ISO 4035, grade 8, electro zinc-plated.

Note:

For tensioning roller chains. The sprocket set can be combined with all tensioning elements to form a ready-to-install chain clamp. The ball bearings are sealed both sides, permanently lubricated and maintenance-free.

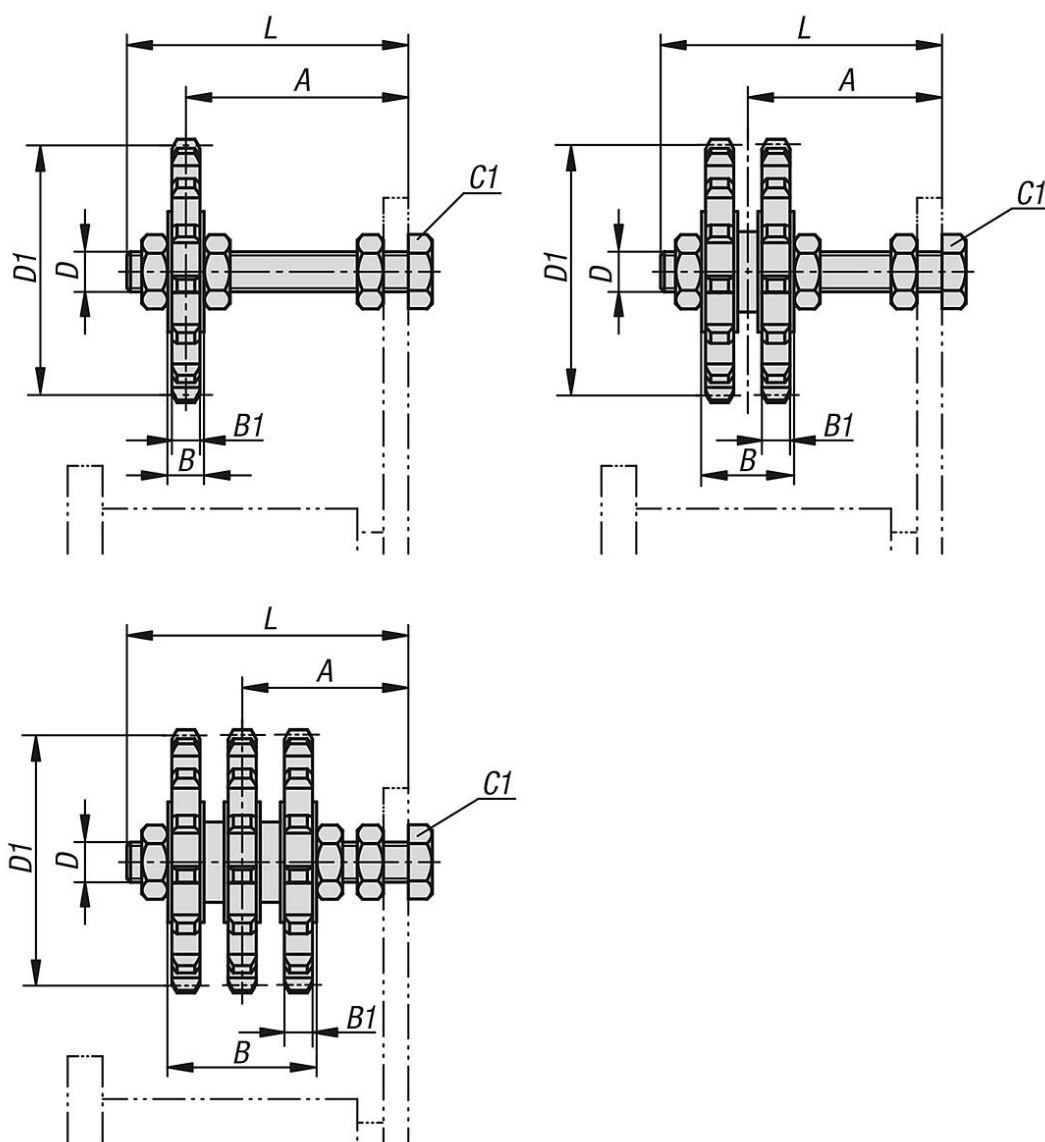
The sprocket can be moved on the screw and thus adapted to the chain track. With the duplex and triplex version, precision spacer sleeves ensure correct chain guidance.

Rigid mounting without a tensioning element is also possible. Can also be used as an idler sprocket.

Temperature range:

-40 °C to +120 °C.

Drawings



Overview of items

Order No.	Version 1	ISO No.	Pitch inch	Pitch mm	No. of teeth	A	B	B1	D	D1	L	Ball bearing	Tightening torque of screw C1 Nm	Suitable for clamping element size
22281-06110	single	06 B-1	3/8X7/32	9,525 x 5,72	15	21-50	9	5,7	M10	45,81	60	6200-2Z	20	2+3
22281-08110	single	08 B-1	1/2X5/16	12,7 x 7,75	15	21-50	9	7,2	M10	61,09	60	6200-2Z	20	3
22281-10112	single	10 B-1	5/8X3/8	15,875 x 9,65	15	27-67	12	9,1	M12	76,36	80	6301-2Z	35	4
22281-12112	single	12 B-1	3/4X7/16	19,05 x 11,68	15	27-67	12	11,5	M12	91,63	80	6301-2Z	35	4
22281-12120	single	12 B-1	3/4X7/16	19,05 x 11,68	15	38-101	15	11,5	M20	91,63	120	6304-2Z	160	5
22281-16120	single	16 B-1	1X17,02mm	25,4 x 17,02	13	38-101	15	16,2	M20	106,14	120	6304-2Z	160	5
22281-06210	duplex	06 B-2	3/8X7/32	9,525 x 5,72	15	26-44	19,2	5,7	M10	45,81	60	6200-2Z	20	2+3
22281-08210	duplex	08 B-2	1/2X5/16	12,7 x 7,75	15	28-42	22,9	7,2	M10	61,09	60	6200-2Z	20	3
22281-10212	duplex	10 B-2	5/8X3/8	15,875 x 9,65	15	35-59	28,6	9,1	M12	76,36	80	6301-2Z	35	4
22281-12212	duplex	12 B-2	3/4X7/16	19,05 x 11,68	15	37-57	31,5	11,5	M12	91,63	80	6301-2Z	35	4
22281-12220	duplex	12 B-2	3/4X7/16	19,05 x 11,68	15	38-101	34,5	11,5	M20	91,63	120	6304-2Z	160	5
22281-16220	duplex	16 B-2	1X17,02mm	25,4 x 17,02	13	48-92	46,9	16,2	M20	106,14	120	6304-2Z	160	5
22281-06310	triplex	06 B-3	3/8X7/32	9,525 x 5,72	15	32-39	29,4	5,7	M10	45,81	60	6200-2Z	20	3
22281-08312	triplex	08 B-3	1/2X5/16	12,7 x 7,75	15	41-53	40	7,2	M12	61,09	80	6301-2Z	35	4
22281-10312	triplex	10 B-3	5/8X3/8	15,875 x 9,65	15	43-51	45,2	9,1	M12	76,36	80	6301-2Z	35	4
22281-10320	triplex	10 B-3	5/8X3/8	15,875 x 9,65	15	55-85	48,2	9,1	M20	76,36	120	6304-2Z	160	5
22281-12320	triplex	12 B-3	3/4X7/16	19,05 x 11,68	15	58-82	54	11,5	M20	91,63	120	6304-2Z	160	5

Overview of items

Order No.	Version 1	ISO No.	Pitch inch	Pitch mm	No. of teeth	A	B	B1	D	D1	L	Ball bearing	Tightening torque of screw C1 Nm	Suitable for clamping element size
22281-08112	single	08 B-1	1/2X5/16	12,7 x 7,75	15	27-67	12	7,2	M12	61,09	80	6301-2Z	35	4
22281-10120	single	10 B-1	5/8X3/8	15,875 x 9,65	15	38-101	15	9,1	M20	76,36	120	6304-2Z	160	5
22281-20120	single	20 B-1	1 1/4X3/4	31,75 x 19,56	13	41-121	15	18,5	M20	132,67	140	6304-2Z	160	6
22281-24120	single	24 B-1	1 1/2X1	38,1 x 25,4	11	41-121	15	24,1	M20	135,23	140	6304-2Z	160	6
22281-08212	duplex	08 B-2	1/2X5/16	12,7 x 7,75	15	34-60	26	7,2	M12	61,09	80	6301-2Z	35	4
22281-10220	duplex	10 B-2	5/8X3/8	15,875 x 9,65	15	47-93	31,5	9,1	M20	76,36	120	6304-2Z	160	5
22281-20220	duplex	20 B-2	1 1/4X3/4	31,75 x 19,56	13	59-103	51,5	18,5	M20	132,67	140	6304-2Z	160	6
22281-24220	duplex	24 B-2	1 1/2X1	38,1 x 25,4	11	65-97	63,4	24,1	M20	135,23	140	6304-2Z	160	6