

Item description/product images



Description

Product description:

The visually detectable operating parts are made from a EU10/2011 and FDA conform blue coloured plastic granulate. The colour ensures an optically discernible contrast between the operating parts and other media and materials. This means that in sensitive production sectors, e.g. foodstuff processing, plastic fragments of visually detectable operating parts can be identified and the risk of production downtimes or complaints are significantly reduced.

Material:

Thermoplastic (fibreglass reinforced polyamide), visually detectable, EU10/2011 and FDA conform.

Steel parts stainless steel 1.4404.

Version:

Thermoplastic ultra marine RAL 5002.

Steel parts bright stainless steel.

Application:

- Foodstuff industry
- Pharmaceutical industry
- Packaging industry

Temperature range:

-20°C to +100°C.

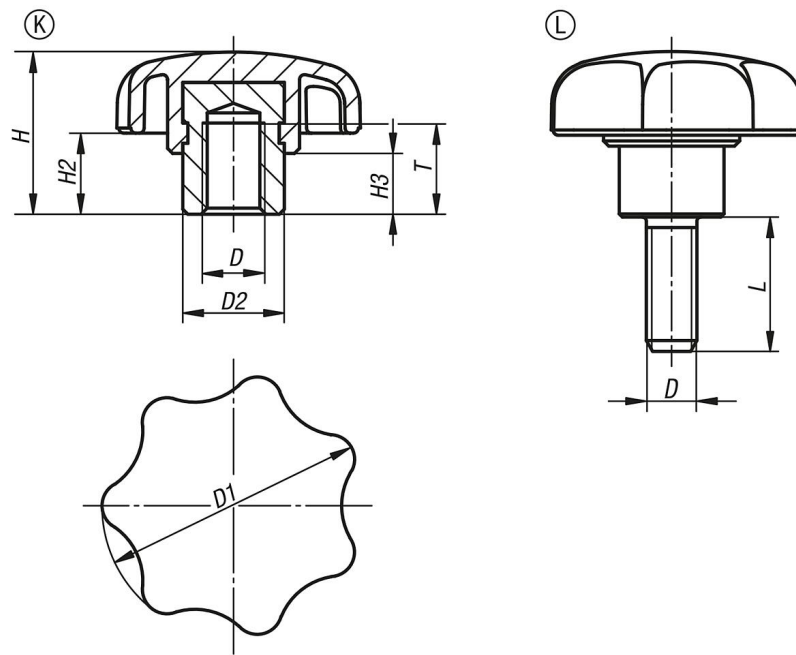
Advantages:

visually detectable.
Ultra marine RAL 5002.
Foodstuff conform material.

Drawing reference:

Form K: tapped bush
Form L: external thread

Drawings



Overview of items

Order No.	Form	D	D1	D2	H	H2	H3	L	T
06210-13306	K	M6	32	13,5	21	11	9,5	-	12
06210-13308	K	M8	40	13,5	25	13	10	-	12
06210-13310	K	M10	50	19	32	17	12	-	17
06210-13506X20	L	M6	32	13,5	21	11	9,5	20	-
06210-13508X20	L	M8	40	13,5	25	13	10	20	-
06210-13508X30	L	M8	40	13,5	25	13	10	30	-
06210-13510X30	L	M10	50	19	50	32	12	30	-
06210-13510X40	L	M10	50	19	50	32	12	40	-