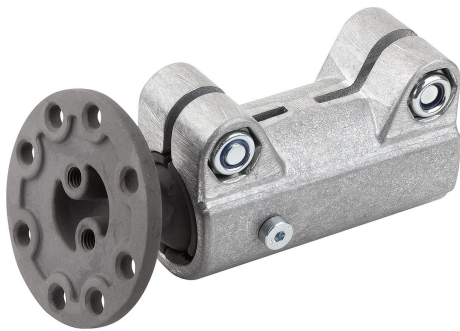


Item description/product images



Description

Product description:

Straight tube clamps are used for axial joints. They can be screwed onto machines or frames.

The tube clamps have a 360° rotatable connection plate on the ball joint.

Components such as sensors, reflectors and other elements can be fastened to these and individually adjusted. Suitable for components that need to be precisely aligned and often readjusted.

The swivel range of the connection plate is 60°.

Material:

Cast aluminium.

ISO 4762 screws and DIN 985 nuts, steel.

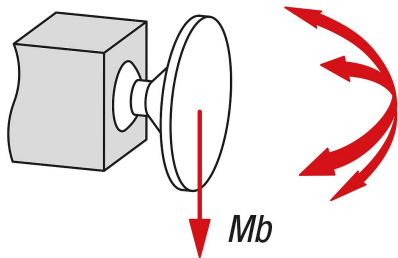
Version:

Vibratory ground.

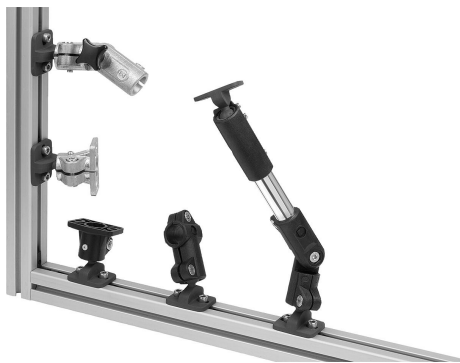
Screws and nuts electro zinc-plated.

Note:

Can be combined with other tube clamps size 30 mm.



Flexural torque (Nm)



A special coating on the surface of the ball joint ensures high-strength clamping.

Max. torque when tightening the locking screw:

M6: 10 Nm.

M8: 25 Nm.

M10: 50 Nm.

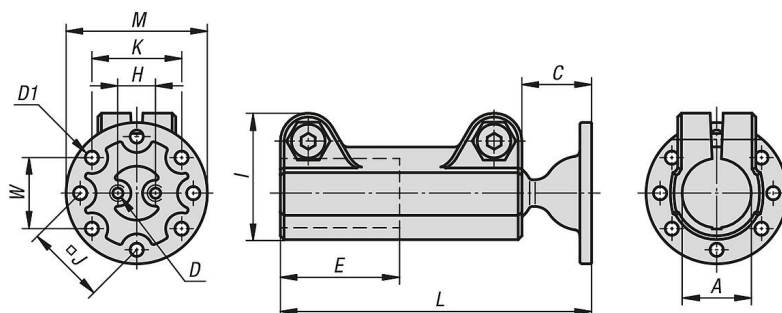
The stated forces and torques are non-binding guidelines that may not be achievable due to diverse application conditions e.g. temperature or surface finish.

The details constitute neither a guarantee of the quality nor a warranted characteristic of the products.

Accessory:

- Round and square tubes 29050

Drawings



Overview of items

Order No.	A	C	D	D1	E	H	I	J	K	L	M	W	Mb (Nm)
29022-5301	30,1	30	M6	5,8	40	16	53	34	38,1	110	60	30,2	40

