

Item description/product images



Description

Material:

Stainless steel 1.4404.

Version:

Polished or blasted.

Note for ordering:

Order the fastening material and end washers separately.

Accessory:

End washers 06922-11.

Washers 07300.

Washers 07305.

Hex head bolts 07171.

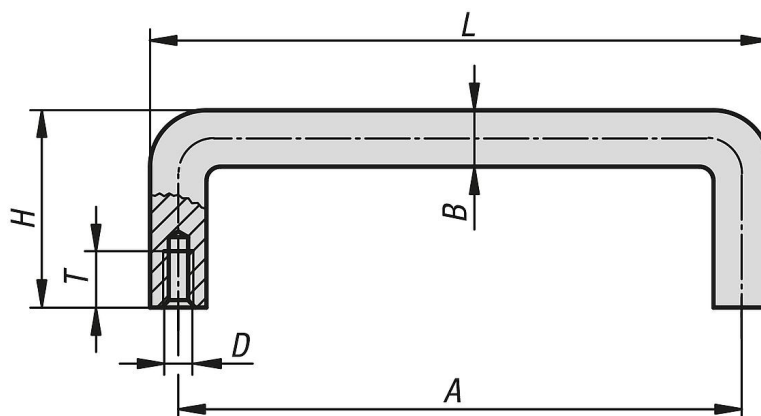
Screws 07174.

Cap screws 07160.

Item description/product images



Drawings



Overview of items

Order No.	Surface finish body	A	B	D	H	T	L	Load capacity N
06922-10-032031	smooth polished	32	5	M3	24	6	37	500
06922-10-042031	smooth polished	42	5	M3	24	6	47	500
06922-10-055031	smooth polished	55	5	M3	24	6	60	500
06922-10-064031	smooth polished	64	5	M3	24	6	69	500
06922-10-076031	smooth polished	76	5	M3	24	6	81	500
06922-10-088031	smooth polished	88	5	M3	24	6	93	500
06922-10-032041	smooth polished	32	8	M4	32	8	40	500
06922-10-042041	smooth polished	42	8	M4	32	8	50	500
06922-10-055041	smooth polished	55	8	M4	32	8	63	500
06922-10-064041	smooth polished	64	8	M4	32	8	72	500
06922-10-076041	smooth polished	76	8	M4	32	8	84	500
06922-10-088041	smooth polished	88	8	M4	32	8	96	500
06922-10-096041	smooth polished	96	8	M4	32	8	104	500
06922-10-098041	smooth polished	98	8	M4	32	8	106	500
06922-10-100041	smooth polished	100	8	M4	32	8	108	500
06922-10-102041	smooth polished	102	8	M4	32	8	110	500
06922-10-120041	smooth polished	120	8	M4	32	8	128	500
06922-10-136041	smooth polished	136	8	M4	32	8	144	500
06922-10-055051	smooth polished	55	10	M5	40	10	65	1000
06922-10-064051	smooth polished	64	10	M5	40	10	74	1000
06922-10-076051	smooth polished	76	10	M5	40	10	86	1000
06922-10-088051	smooth polished	88	10	M5	40	10	98	1000

Overview of items

Order No.	Surface finish body	A	B	D	H	T	L	Load capacity N
06922-10-096051	smooth polished	96	10	M5	40	10	106	1000
06922-10-098051	smooth polished	98	10	M5	40	10	108	1000
06922-10-100051	smooth polished	100	10	M5	40	10	110	1000
06922-10-102051	smooth polished	102	10	M5	40	10	112	1000
06922-10-120051	smooth polished	120	10	M5	40	10	130	1000
06922-10-136051	smooth polished	136	10	M5	40	10	146	1000
06922-10-140051	smooth polished	140	10	M5	40	10	150	1000
06922-10-160051	smooth polished	160	10	M5	40	10	170	1000
06922-10-180051	smooth polished	180	10	M5	40	10	190	1000
06922-10-200051	smooth polished	200	10	M5	40	10	210	1000
06922-10-235051	smooth polished	235	10	M5	40	10	245	1000
06922-10-250051	smooth polished	250	10	M5	40	10	260	1000
06922-10-300051	smooth polished	300	10	M5	40	10	310	1000
06922-10-350051	smooth polished	350	10	M5	40	10	360	1000
06922-10-120061	smooth polished	120	12	M6	42	12	132	1000
06922-10-136061	smooth polished	136	12	M6	42	12	148	1000
06922-10-140061	smooth polished	140	12	M6	42	12	152	1000
06922-10-160061	smooth polished	160	12	M6	42	12	172	1000
06922-10-180061	smooth polished	180	12	M6	42	12	192	1000
06922-10-200061	smooth polished	200	12	M6	42	12	212	1000
06922-10-235061	smooth polished	235	12	M6	42	12	247	1000
06922-10-250061	smooth polished	250	12	M6	42	12	262	1000
06922-10-300061	smooth polished	300	12	M6	42	12	312	1000
06922-10-350061	smooth polished	350	12	M6	42	12	362	1000
06922-10-140081	smooth polished	140	16	M8	58	12	156	1000
06922-10-160081	smooth polished	160	16	M8	58	12	176	1000
06922-10-180081	smooth polished	180	16	M8	58	12	196	1000
06922-10-200081	smooth polished	200	16	M8	58	12	216	1000
06922-10-235081	smooth polished	235	16	M8	58	12	251	1000
06922-10-250081	smooth polished	250	16	M8	58	12	266	1000
06922-10-300081	smooth polished	300	16	M8	58	12	316	1000
06922-10-350081	smooth polished	350	16	M8	58	12	366	1000
06922-10-032033	matt blasted	32	5	M3	24	6	37	500
06922-10-042033	matt blasted	42	5	M3	24	6	47	500
06922-10-055033	matt blasted	55	5	M3	24	6	60	500
06922-10-064033	matt blasted	64	5	M3	24	6	69	500
06922-10-076033	matt blasted	76	5	M3	24	6	81	500
06922-10-088033	matt blasted	88	5	M3	24	6	93	500
06922-10-032043	matt blasted	32	8	M4	32	8	40	500
06922-10-042043	matt blasted	42	8	M4	32	8	50	500
06922-10-055043	matt blasted	55	8	M4	32	8	63	500
06922-10-064043	matt blasted	64	8	M4	32	8	72	500
06922-10-076043	matt blasted	76	8	M4	32	8	84	500
06922-10-088043	matt blasted	88	8	M4	32	8	96	500
06922-10-096043	matt blasted	96	8	M4	32	8	104	500
06922-10-098043	matt blasted	98	8	M4	32	8	106	500
06922-10-100043	matt blasted	100	8	M4	32	8	108	500
06922-10-102043	matt blasted	102	8	M4	32	8	110	500
06922-10-120043	matt blasted	120	8	M4	32	8	128	500
06922-10-136043	matt blasted	136	8	M4	32	8	144	500
06922-10-055053	matt blasted	55	10	M5	40	10	65	1000
06922-10-064053	matt blasted	64	10	M5	40	10	74	1000
06922-10-076053	matt blasted	76	10	M5	40	10	86	1000
06922-10-088053	matt blasted	88	10	M5	40	10	98	1000
06922-10-096053	matt blasted	96	10	M5	40	10	106	1000
06922-10-098053	matt blasted	98	10	M5	40	10	108	1000
06922-10-100053	matt blasted	100	10	M5	40	10	110	1000
06922-10-102053	matt blasted	102	10	M5	40	10	112	1000
06922-10-120053	matt blasted	120	10	M5	40	10	130	1000
06922-10-136053	matt blasted	136	10	M5	40	10	146	1000
06922-10-140053	matt blasted	140	10	M5	40	10	150	1000
06922-10-160053	matt blasted	160	10	M5	40	10	170	1000
06922-10-180053	matt blasted	180	10	M5	40	10	190	1000
06922-10-200053	matt blasted	200	10	M5	40	10	210	1000

Overview of items

Order No.	Surface finish body	A	B	D	H	T	L	Load capacity N
06922-10-235053	matt blasted	235	10	M5	40	10	245	1000
06922-10-250053	matt blasted	250	10	M5	40	10	260	1000
06922-10-300053	matt blasted	300	10	M5	40	10	310	1000
06922-10-350053	matt blasted	350	10	M5	40	10	360	1000
06922-10-120063	matt blasted	120	12	M6	42	12	132	1000
06922-10-136063	matt blasted	136	12	M6	42	12	148	1000
06922-10-140063	matt blasted	140	12	M6	42	12	152	1000
06922-10-160063	matt blasted	160	12	M6	42	12	172	1000
06922-10-180063	matt blasted	180	12	M6	42	12	192	1000
06922-10-200063	matt blasted	200	12	M6	42	12	212	1000
06922-10-235063	matt blasted	235	12	M6	42	12	247	1000
06922-10-250063	matt blasted	250	12	M6	42	12	262	1000
06922-10-300063	matt blasted	300	12	M6	42	12	312	1000
06922-10-350063	matt blasted	350	12	M6	42	12	362	1000
06922-10-140083	matt blasted	140	16	M8	58	12	156	1000
06922-10-160083	matt blasted	160	16	M8	58	12	176	1000
06922-10-180083	matt blasted	180	16	M8	58	12	196	1000
06922-10-200083	matt blasted	200	16	M8	58	12	216	1000
06922-10-235083	matt blasted	235	16	M8	58	12	251	1000
06922-10-250083	matt blasted	250	16	M8	58	12	266	1000
06922-10-300083	matt blasted	300	16	M8	58	12	316	1000
06922-10-350083	matt blasted	350	16	M8	58	12	366	1000