

Item description/product images



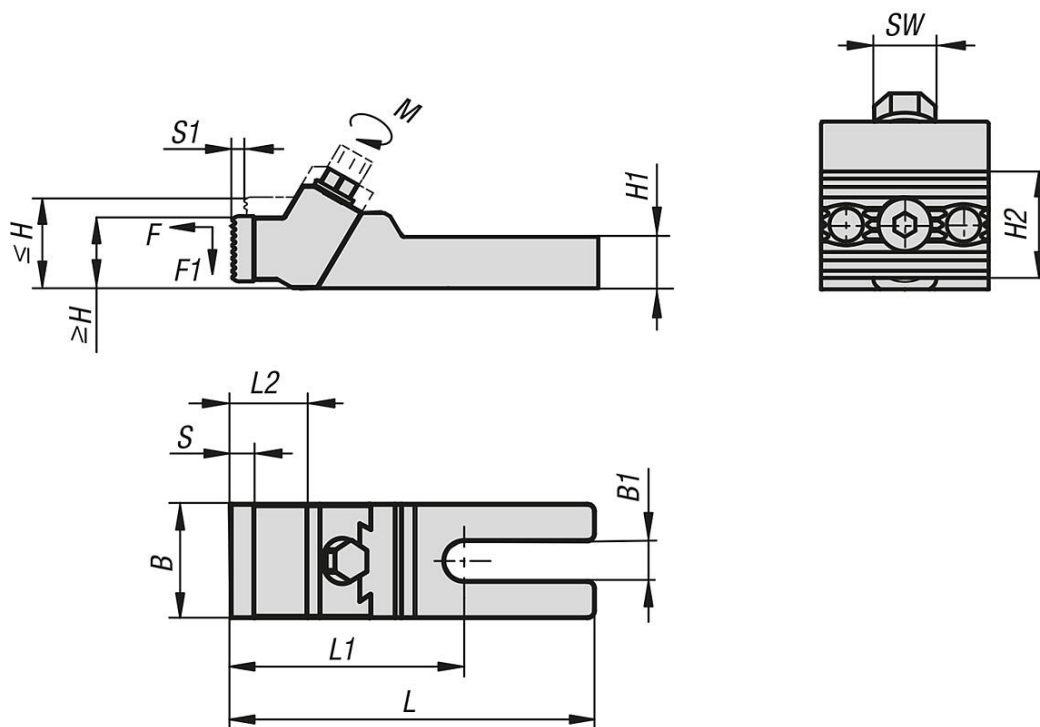
Description

Material:
 Body carbon steel.
 Jaw plates mild steel.

Version:
 Body black oxidised.
 Jaw plates case hardened.

Note:
 Both sides of the jaw plates can be used. Smooth side for machined faces, serrated side for rough faces. Two screws should be used to secure the robust side clamp to the machine table. Depending on the slot width, the screws for T-slots 07040 make suitable mounting screws. These must be ordered separately.

Drawings



Overview of items

Order No.	suitable for slot width	L	L1	L2	B	B1	H max.	H min.	H1	H2	S	S1	Clamping force F (kN)	F1 kN	SW	Tightening torque Nm
04500-10-13	12/14	128	82	19	40	14,4	33,5	28	20	25,4	8	3	8/15	1,2/2,2	13	20/40
04500-10-19	12/14/16/18	177	113	29	65	19	60	50	30	40	12	6	8/15/20/28	1,2/2,2/3/4,2	16	20/40/45/60
04500-10-26	20/22/24/28/30	224	135	29	75	26	73	60	36	40	12	7,5	25/25/32/32/36	4,5/4,5/4,8/4,8/5,4	18	85/85/95/95/110
04500-10-38	32/36/42	256	152	34	90	38	91,5	74	46	40	12	10	50	7,5	21	160

