

Item description/product images



Description

Product description:

Clamped using compressed air.
Released via integrate spring.

Material:

Body, stainless steel.
Seal, NBR.

Version:

Stainless steel bright.

Note:

Installed dimensions for plate thickness 6 mm.

The stated clamping and retaining forces are related to an operating pressure of 0.5 Mpa.

When using several positioning units, the distance tolerance of ± 0.1 mm should not be exceeded.

Repeat accuracy ± 0.2 mm.

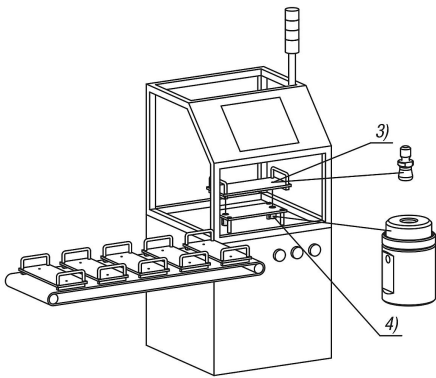
Accessory:

Clamping pins 03192-25.

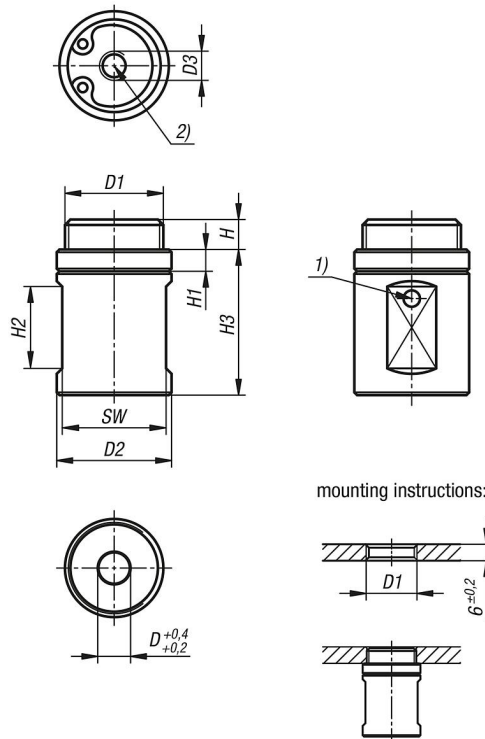
Drawing reference:

- 1) Air valve (one-sided)
- 2) Pneumatic connection
- 3) Clamping pin
- 4) Locating adapter

Item description/product images



Drawings



Overview of items

Order No.	D	D1	D2	D3	H	H1	H2	H3	SW	Operating pressure MPa	F N	Holding force N
03161-15-0618	6	M18x1	21	M5	5,5	4	15	26,7	19	0,3 - 0,7	30	75