

## Item description/product images



## Description

**Material:**

Stainless steel

**Version:**

Hardened.

**Note:**

Mounting dimensions Form A:

Mounting with nut, max. plate thickness 10 mm.

Mounting dimensions Form B:

Screwed in, for plate thicknesses over 10 mm or in a blind hole.

Colour may differ from the image due to the hardening process.

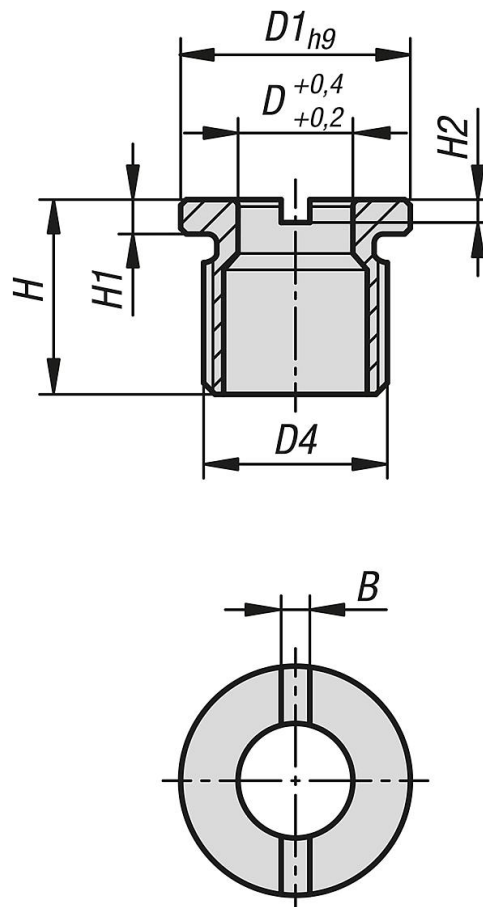
**On request:**

Suitable nuts and assembly tool.

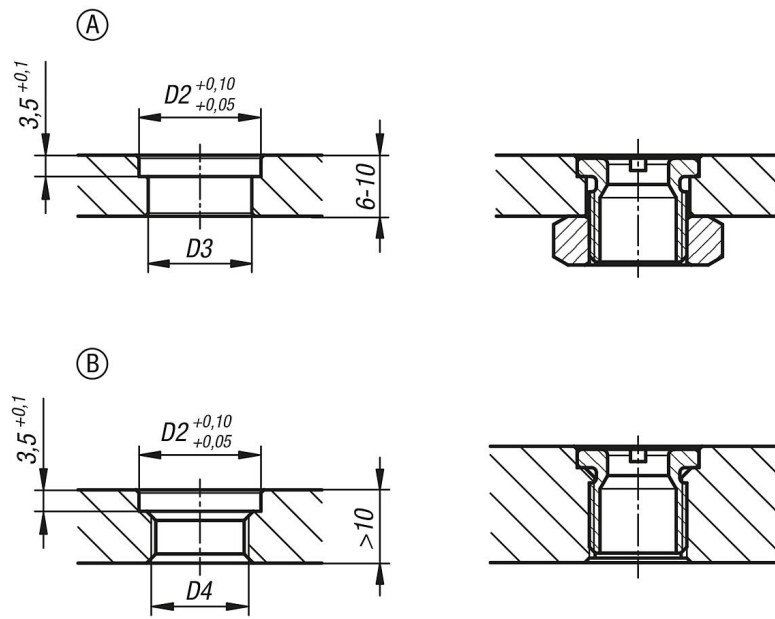
**Accessory:**

03161-10 Locating cylinder stainless steel, pneumatic

## Drawings



Drawings



Overview of items

Order No.	B	D	D1	D2	D3	D4	H	H1	H2
03161-11-101	2,5	10	20	20	17	M16x1,5	17	3	2