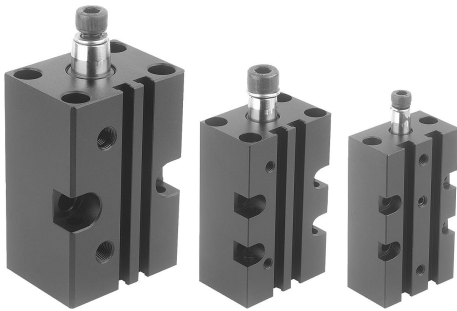
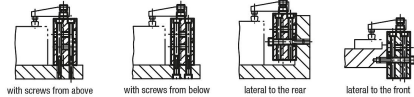


Item description/product images



Examples:



with screws from above

with screws from below

lateral to the rear

lateral to the front

Description

Material:

Body aluminium.

Double-acting piston rod stainless steel.

Version:

Body black anodised.

Note:

Swing clamps are used where low clamping forces suffice or where the clamping point must be free when mounting and removing the workpiece. The block form of the housing offers universal fastening possibilities. The magnetic piston is primed for electrical end position feedback.

Including screw and lock washer for fastening the clamping arms (accessories).

The swing action of the clamp should not be blocked.

F1 = at 6 bar (max. operating pressure).

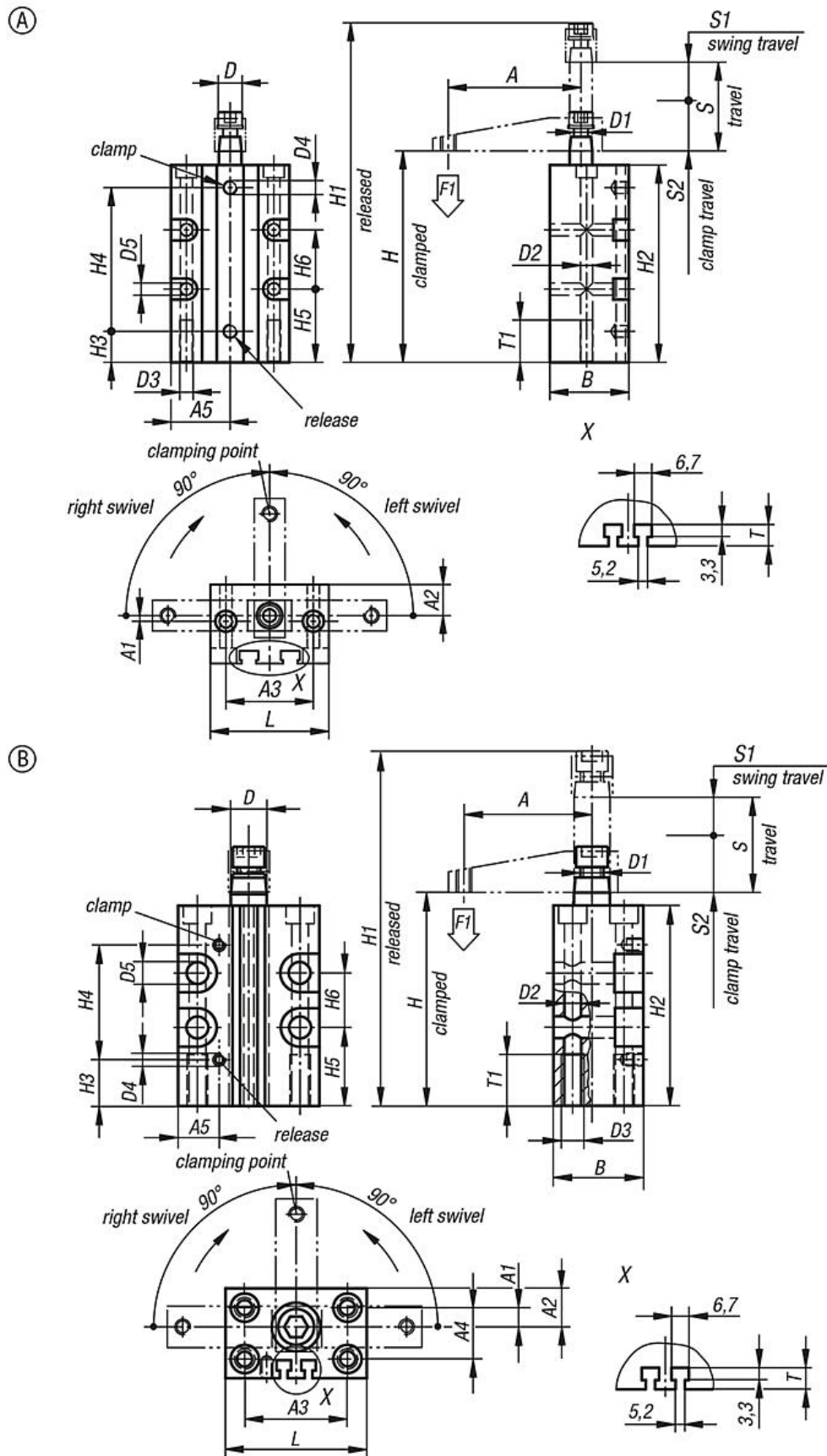
On request:

Proximity switch.

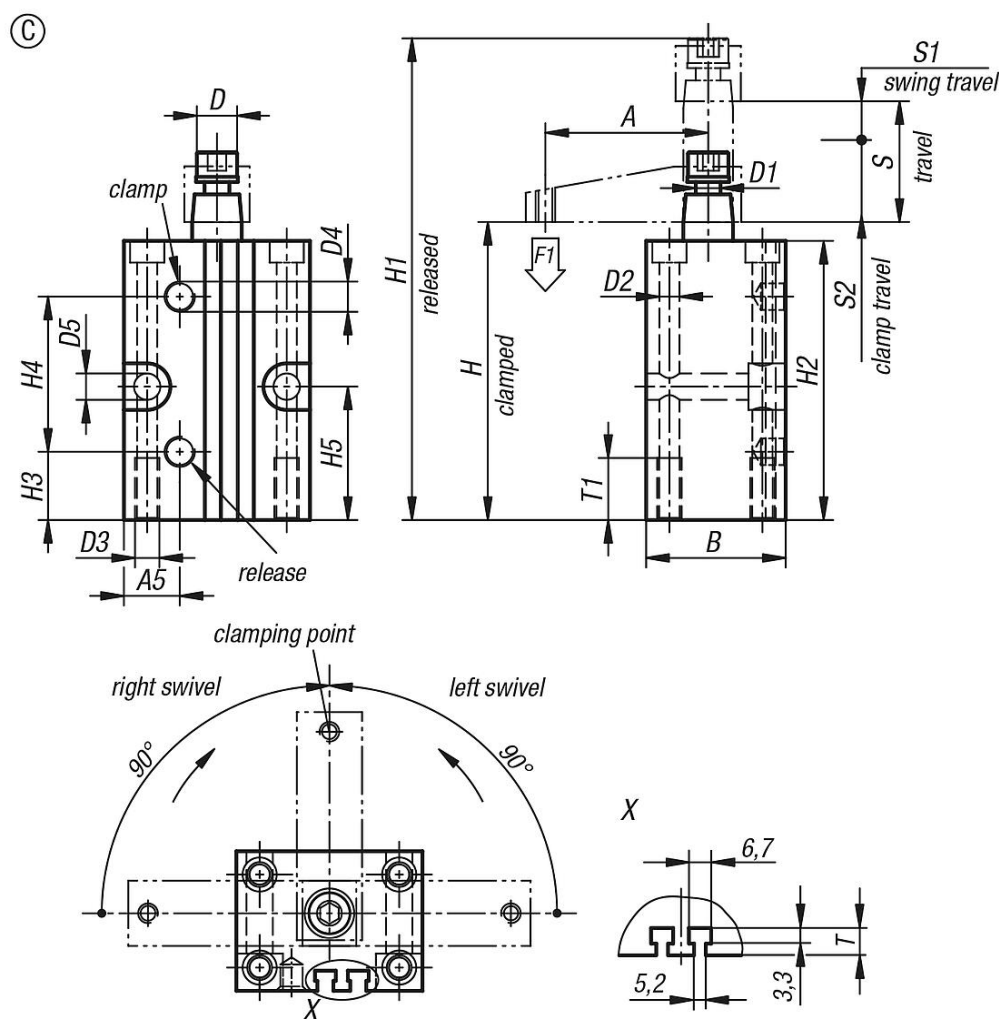
Accessory:

- Clamping arm 05620

- Adapter 05625



Drawings



Overview of items

Order No.	Version 2	Form	Size	A	A1	A2	A3	A5	B	D	D1	D2	D3	D4	D5
05610-1121	swivel to the right	A	12	35	0	10	31	20	24	8	M5	4,3	M5	M5	4,3
05610-1161	swivel to the right	A	16	41	-2	11	31	21	28	8	M5	4,3	M5	M5	4,3
05610-2121	swivel to the left	A	12	35	0	10	31	20	24	8	M5	4,3	M5	M5	4,3
05610-2161	swivel to the left	A	16	41	-2	11	31	21	28	8	M5	4,3	M5	M5	4,3
05610-1201	swivel to the right	B	20	48	8	13	36	11,5	30	12	M8	5,5	M6	M5	5,5
05610-2201	swivel to the left	B	20	48	8	13	36	11,5	30	12	M8	5,5	M6	M5	5,5
05610-1251	swivel to the right	C	25	50	7,5	15	40	17	35	14	M8	6,5	M8	M5	8,5
05610-1321	swivel to the right	C	32	60	12,5	20	45	18	45	16	M8	6,5	M8	G1/8	8,5
05610-1401	swivel to the right	C	40	70	15,5	24,5	52	22	55	16	M8	8,5	M10	G1/8	8,5
05610-1501	swivel to the right	C	50	80	21,5	31	66	25	65	20	M10	8,5	M10	G1/8	10,5
05610-1631	swivel to the right	C	63	90	27,5	37,5	80	30	80	20	M10	10,5	M12	G1/8	10,5
05610-2251	swivel to the left	C	25	50	7,5	15	40	17	35	14	M8	6,5	M8	M5	8,5
05610-2321	swivel to the left	C	32	60	12,5	20	45	18	45	16	M8	6,5	M8	G1/8	8,5
05610-2401	swivel to the left	C	40	70	15,5	24,5	52	22	55	16	M8	8,5	M10	G1/8	8,5
05610-2501	swivel to the left	C	50	80	21,5	31	66	25	65	15	M10	8,5	M10	G1/8	10,5
05610-2631	swivel to the left	C	63	90	27,5	37,5	80	30	80	15	M10	10,5	M12	G1/8	10,5

Order No.	H	H1	H2	H3	H4	H5	H6	Travel S	L	S1	S2	T	T1	F1 N	Accessories
05610-1121	76	105	70	11	51	26	21	16	40	7	9	5	15	30	05620-12, 05625-1216
05610-1161	76	105	70	11	51	26	21	16	42	7	9	4,5	15	60	05620-16, 05625-1216
05610-2121	76	105	70	11	51	26	21	16	40	7	9	5	15	30	05620-12, 05625-1216
05610-2161	76	105	70	11	51	26	21	16	42	7	9	4,5	15	60	05620-16, 05625-1216

Overview of items

Order No.	H	H1	H2	H3	H4	H5	H6	Travel S	L	S1	S2	T	T1	F1 N	Accessories
05610-1201	80	125	74	17	44,5	24	22	27	46	12	15	4,5	20	80	05620-20, 05625-2000
05610-2201	80	125	74	17	44,5	24	22	27	46	12	15	4,5	20	80	05620-20, 05625-2000
05610-1251	83	125	78	17	44,5	32	-	27	55	15	12	5	20	170	05620-25, 05625-2500
05610-1321	96	145	90	22	50	43	-	30	60	16	14	6,5	20	270	05620-32, 05625-3240
05610-1401	96	145	90	20	52	40	-	31	70	16	15	8	25	450	05620-40, 05625-3240
05610-1501	106	162	100	25	53,5	45	-	30	85	15	15	6,5	30	700	05620-50, 05625-5063
05610-1631	106	162	100	28	53,5	36	-	30	100	15	15	8,5	30	1100	05620-63, 05625-5063
05610-2251	83	125	78	17	44,5	32	-	27	55	15	12	5	20	170	05620-25, 05625-2500
05610-2321	96	145	90	22	50	43	-	30	60	16	14	6,5	20	270	05620-32, 05625-3240
05610-2401	96	145	90	20	52	40	-	31	70	16	15	8	25	450	05620-40, 05625-3240
05610-2501	106	162	100	25	53,5	45	-	30	85	15	15	6,5	30	700	05620-50, 05625-5063
05610-2631	106	162	100	28	53,5	36	-	30	100	15	15	8,5	30	1100	05620-63, 05625-5063