

Item description/product images



by MARTIN

Levelling Components

Description

Material:

Foot plate and threaded spindle stainless steel 1.4301.
 Rubber base (NBR) Shore 85 +/-5, FDA tested.
 Rubber seal, silicone, FDA tested.

Version:

Foot plate, high-gloss polished.
 Threaded spindle, bright.
 Rubber base, black.
 Rubber seal, blue.

Note:

Certified according to 3-A Sanitary Standard.

The high surface quality, the double sealing of the thread and the special seal on the machine foot's spindle joint prevent dirt from sticking and reduce cleaning times to a minimum.

The machine foot is supplied with the 3-A logo.

Application:

The machine foot is particularly suitable for machines, plants and appliances in the foodstuff industry, breweries, dairies, beverage and pharmaceutical industries.

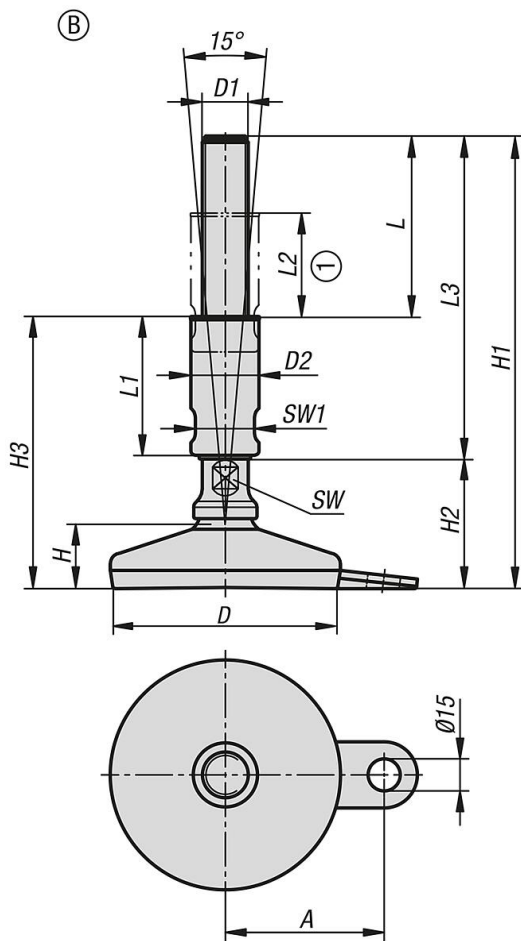
Accessory:

Thread cover 27791-10.

Drawing reference:

1) Adjustment range

Drawings



Overview of items

Order No.	Form	A	D	D1	D2	H	H1	H2	H3	L	L1	L2	L3	SW	SW1	Load rating max. kN (static load only)
27791-05-206012X140	B	45	60	M12	24	23	191	51	112	79	60	45	140	13	20	10
27791-05-206012X190	B	45	60	M12	24	23	241	51	137	104	85	70	190	13	20	10
27791-05-206016X140	B	45	60	M16	24	23	191	51	112	79	60	45	140	13	20	10
27791-05-206016X190	B	45	60	M16	24	23	241	51	137	104	85	70	190	13	20	10
27791-05-208016X140	B	54	80	M16	24	25	193	53	114	79	60	45	140	13	20	20
27791-05-208016X190	B	54	80	M16	24	25	243	53	139	104	85	70	190	13	20	20
27791-05-208020X140	B	54	80	M20	30	25	193	53	114	79	60	45	140	17	26	20
27791-05-208020X190	B	54	80	M20	30	25	243	53	139	104	85	70	190	17	26	20
27791-05-208024X140	B	54	80	M24	35	25	193	53	114	79	60	45	140	20	30	20
27791-05-208024X190	B	54	80	M24	35	25	243	53	139	104	85	70	190	20	30	20
27791-05-210016X140	B	69	100	M16	24	28	196	56	117	79	60	45	140	13	20	25
27791-05-210016X190	B	69	100	M16	24	28	246	56	142	104	85	70	190	13	20	25
27791-05-210020X140	B	69	100	M20	30	28	196	56	117	79	60	45	140	17	26	25
27791-05-210020X190	B	69	100	M20	30	28	246	56	142	104	85	70	190	17	26	25
27791-05-210024X140	B	69	100	M24	35	28	196	56	117	79	60	45	140	20	30	25
27791-05-210024X190	B	69	100	M24	35	28	246	56	142	104	85	70	190	20	30	25

