

## Item description/product images

**Description****Material:**

Housing aluminium.  
Cable sheath PUR.

**Version:**

Compact sensor and connector design.  
M8 connector, 6-pole, 1x pin (E15).  
Connection cable, mm 6-wire  $\varnothing$  5.2 mm.  
Bend radius  $\geq$  52 mm (dynamic).

**Note:**

Uses magnetic tapes 21725. The reading distance between sensor and tape must be 0.1 to 2 mm. The operating voltage and current for the sensor are supplied from the downstream electronics.

System accuracy, repeat accuracy, and travel speed depend on the downstream electronics.

Plug-in connection at position indicators 21924.

**Technical data:**

- Rating IP 67; EN 60529 (sensor head)
- Shock resistance 2000 m/s<sup>2</sup>, 11 ms; EN 60068-2-27
- Vibration resistance 200 m/s<sup>2</sup>, 50 Hz–2 kHz; EN 60068-2-6

**Temperature range:**

- Ambient temperature 0...60°C
- Storage temperature -10...70°C

**Assembly:**

Installation must be carried out using the enclosed user information.

A, reading distance sensor/tape  $\leq$  2 mm

B, lateral offset  $\pm$  2 mm

C, misalignment  $\pm$  3°

D, pitch gradient  $\pm$  1°

E, lateral gradient  $\pm$  3°

**Accessory:**

Position indicators 21924.

Magnetic tapes 21725.

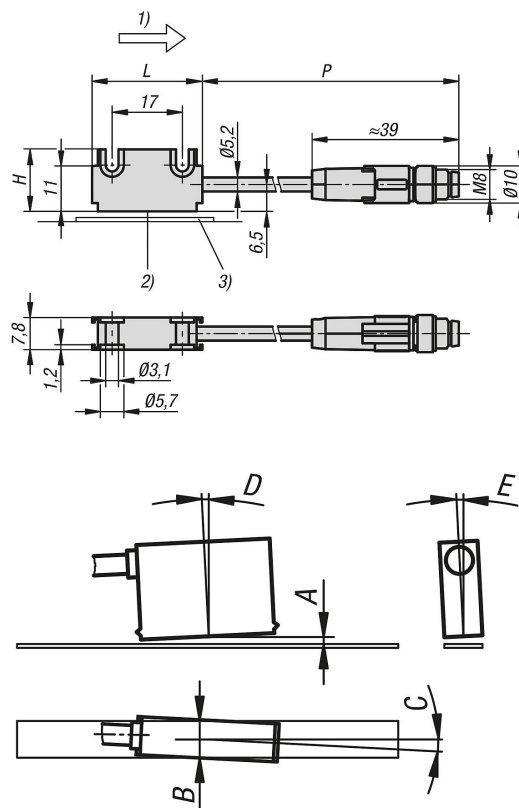
**Note:**

Relative humidity 100%. Dewing is permissible (sensor head).

**Drawing reference:**

- 1) Sine before cosine
- 2) Active measuring surface
- 3) Magnetic tape

## Drawings



## Overview of items

## Magnetic sensors, passive sensors, miniature design IO link interface

Order No.	H	L	P	for Art. No.
21924-01-010001	15	26,7	1000	21924-1531 / 21924-1651
21924-01-020001	15	26,7	2000	21924-1531 / 21924-1651