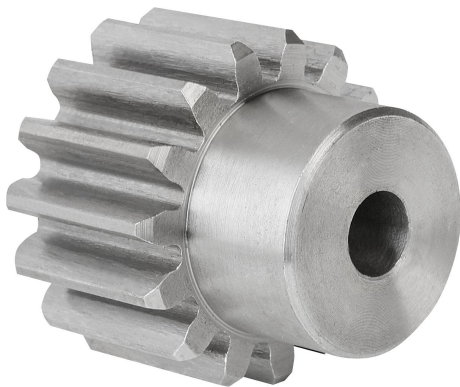


Item description/product images



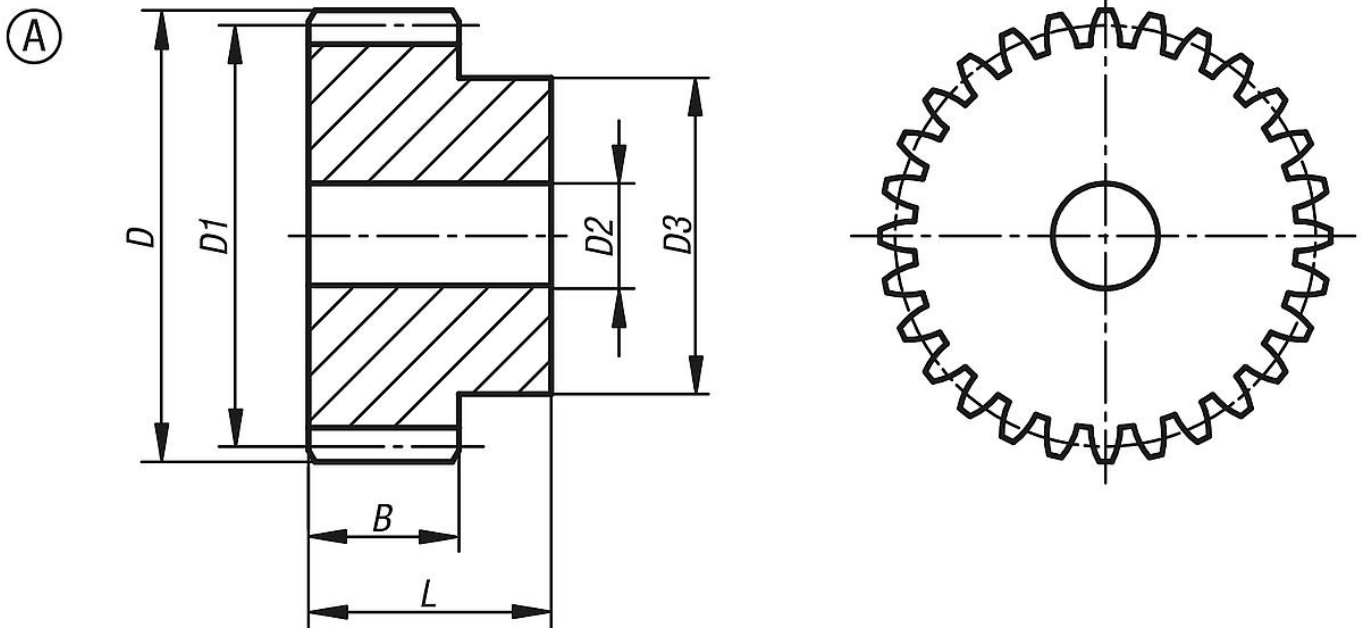
Description

Material:
Steel 1.0503 (C45).

Version:
Milled tothing, straight teeth.
Engagement angle 20°, bright.

Note:
With a hub one side The spur gears have a centre bore or pilot hole (this can vary due to manufacturing methods). For this reason, the dimension D2 max. given in the table is the maximum diameter of the bore with which the spur gears are supplied. This pilot/centre bore can be amended by the customer to produce a reamed bore, reamed bore with keyway or a tapped hole. Alternatively, customers can also use bushes to reduce the bore diameter.

Drawings



Overview of items

Order No.	B	D	D1	D2 max.	D3	L	Module	No. of teeth
22400-0180800015	80	136	120	25	90	110	8	15
22400-0180800018	80	160	144	25	100	110	8	18
22400-0180800020	80	176	160	30	120	110	8	20
22400-0180800024	80	208	192	30	150	110	8	24
22400-0180800025	80	216	200	30	150	110	8	25
22400-0180800030	80	256	240	30	190	110	8	30

