

Item description/product images



Description

Material:

Cup holders PA, fibreglass reinforced.

Note:

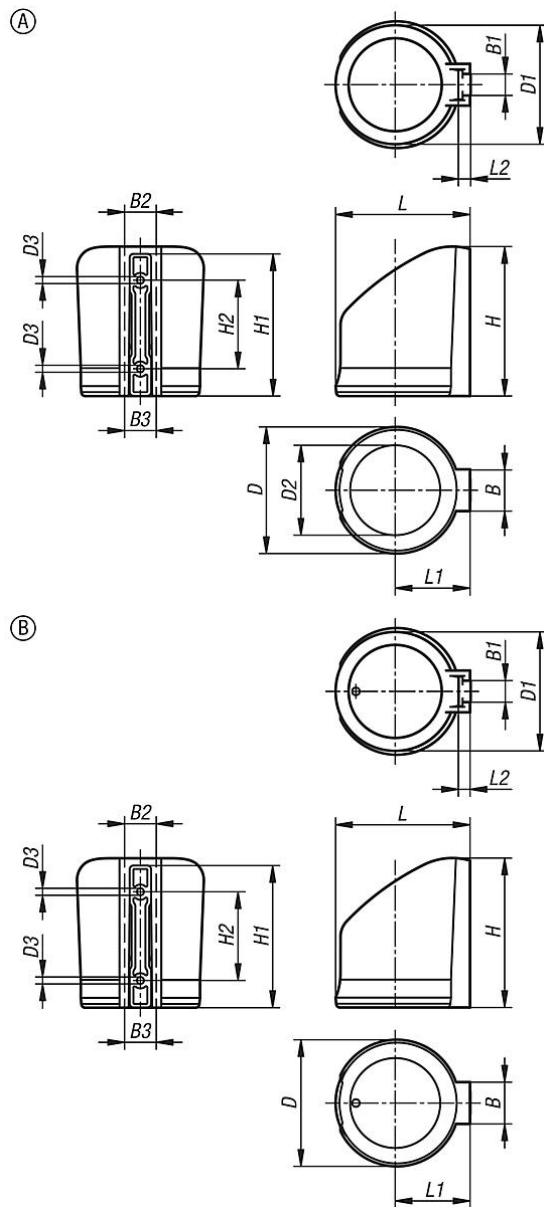
The cup holders are fastened to the aluminium profile (type I and type B) using an M5 countersunk screw (07175) and a slot key (07077 or 07071).

Supplied with:

1x cup holder.

1x mounting.

Drawings



Overview of items

Order No.	Version 1	B	B1	B2	B3	D	D1	D2	D3	H	H1	H2	L	L1	L2
10550-15-00	open	33	17	25,5	23	100	93	71	5,5	118	112	70	106	59	9,3
10550-15-10	closed	33	17	25,5	23	100	93	-	5,5	118	112	70	106	59	9,3