

Item description/product images



Description

Material:

Adapter carbon fibre reinforced antistatic PA.
Slot keys die-cast zinc.
Fastening material steel.

Version:

Steel electro zinc-plated.

Note:

These adapters are used to fasten clip-in bins to profile slots (slot size 8 or 10).
The adapter swivels through 45° in both directions.

Application:

Sensitive electrical or electronic equipment, components and devices (ESD sensitive elements) may be damaged or destroyed by electrostatic discharges (ESD) in the immediate vicinity.

Electrostatic discharges can come from people or through handling ESD sensitive components (e.g. during production, assembly, transport, storage etc).

Electrically conductive products which conform to DIN EN 61340-5-1 are essential within electronic environments to prevent an electrostatic discharge.

These products can be used for ESD applications or in ESD protection areas (EPA) in accordance with DIN EN 61340-5-1.

Supplied with:

1x top adapter housing.
1x bottom adapter housing.
1x adapter flange.
1x M4 hex nut.
1x M4x35 countersunk screw.
4x slot keys, slot size 8/10.
1x M8x16 cap screw.

Applications:

Device manufacturers required to conform to ATEX product directive 2014/34/EU.

Operators required to conform to ATEX worker protection directive 1999/92/EC.

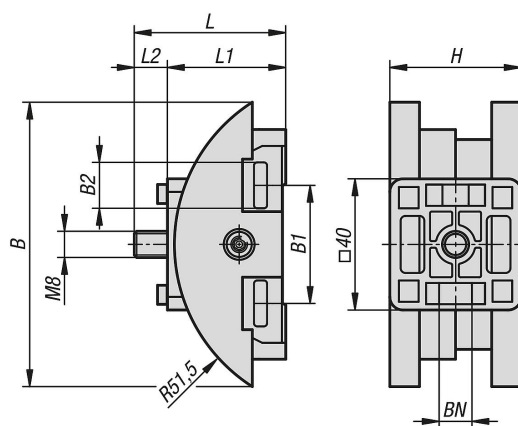
Safety:

These ESD products can also be used for devices, components and protection systems in areas where there is risk of explosion.

These ESD products prevent electrostatic spark discharges, and eliminate the risk of ignition of gases and dust which could lead to explosions in enclosed spaces.

Manufacturers and operators must apply and comply with the ATEX directives for protecting persons working in areas where there is a risk of explosion.

Drawings



Overview of items

Order No.	B	B1	B2	H	L	L1	L2	BN=Slot width
10550-10-511	88	51	14,2	40	46,1	36	10,1	8/10