

Item description/product images



Description

Material:

Shell, ball-bearing steel.

Cage, plastic.

Balls, steel.

Note:

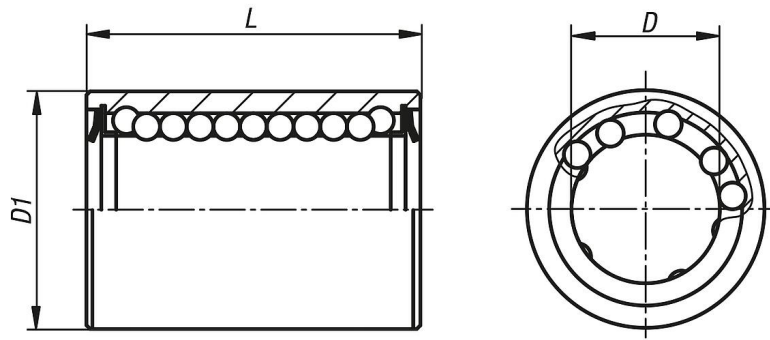
With seals both ends.

The linear ball bearing is secured using DIN 471 / 472 circlips.

Application:

Suitable for applications where installation space is limited.

Drawings



Overview of items

Order No.	D	D1	L	Dynamic load rating N	Static load rating N
21511-02-1202	12	19	28	620	510
21511-02-1602	16	24	30	800	620
21511-02-2002	20	28	30	950	790
21511-02-2502	25	35	40	1990	1670
21511-02-3002	30	40	50	2800	2700
21511-02-4002	40	52	60	4400	4450
21511-02-5002	50	62	70	5500	6300