

Item description/product images



**Description**

**Material:**

Housing, steel plate.  
Wheel rim, high-quality thermoplastic polyurethane.  
Wheel tread, high-quality polyamide.

**Version:**

Housing press formed.  
Double ball bearing in the castor head.  
Plain bearing in wheels.

**Note:**

Wheel axle bolted.  
Swivel and fixed castors with mounting plate.

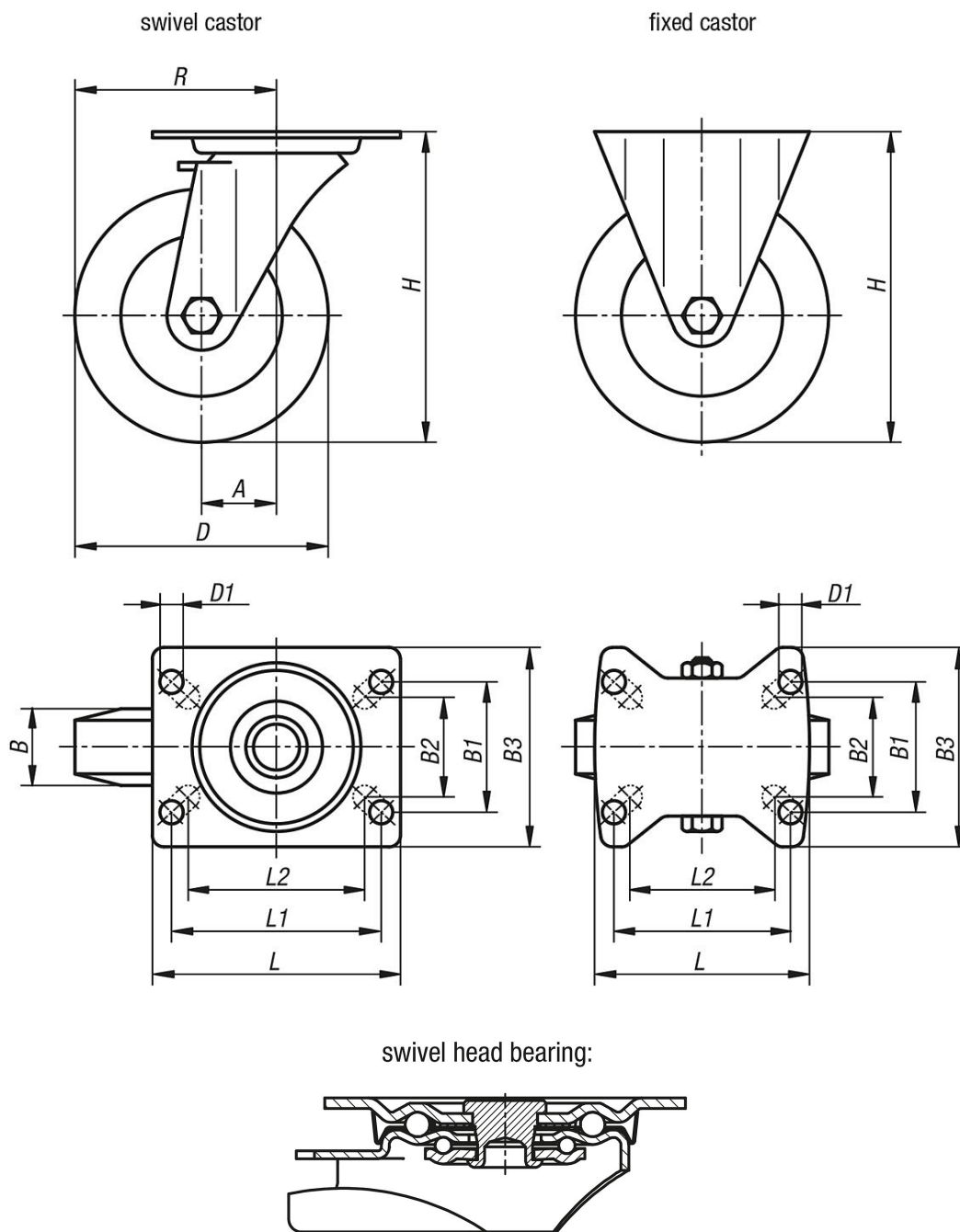
**Application:**

Loads can be transported with low noise and maximum ease in area's with high hygiene requirements.

**Temperature range:**

-20 °C - +70 °C.

Drawings



Overview of items

Order No.	Item	Version 1	Wheel bearing	A	B	B1	B2	B3	D	D1	H	L	L1	L2	R	Permissible load kg
95046-111000351	Fixed castor	without locking system	plain bearing	-	35	60	55	85	100	9	125	100	80	76	-	200
95046-111250401	Fixed castor	without locking system	plain bearing	-	40	60	55	85	125	9	150	100	80	76	-	250
95046-111600451	Fixed castor	without locking system	plain bearing	-	45	80	75	110	160	11	195	140	105	-	-	400
95046-112000501	Fixed castor	without locking system	plain bearing	-	50	80	75	110	200	11	235	140	105	-	-	400
95046-11100035	Swivel castor	without locking system	plain bearing	36	35	60	55	85	100	9	125	100	80	76	86	200
95046-11125040	Swivel castor	without locking system	plain bearing	40	40	60	55	85	125	9	150	100	80	76	102,5	250
95046-11160045	Swivel castor	without locking system	plain bearing	60	45	80	75	110	160	11	195	140	105	-	140	400
95046-11200050	Swivel castor	without locking system	plain bearing	65	50	80	75	110	200	11	235	140	105	-	165	400
95046-111000352	Swivel castor	with stop-fix locking system	plain bearing	36	35	60	55	85	100	9	125	100	80	76	86	200
95046-111250402	Swivel castor	with stop-fix locking system	plain bearing	40	40	60	55	85	125	9	150	100	80	76	102,5	250

Overview of items

Order No.	Item	Version 1	Wheel bearing	A	B	B1	B2	B3	D	D1	H	L	L1	L2	R	Permissible load kg
95046-111600452	Swivel castor	with stop-fix locking system	plain bearing	60	45	80	75	110	160	11	195	140	105	-	140	400
95046-112000502	Swivel castor	with stop-fix locking system	plain bearing	65	50	80	75	110	200	11	235	140	105	-	165	400