

Item description/product images

**Description****Material:**

Housing stainless steel 1.4301.
Wheels high-quality unbreakable polyamide.

Version:

Housing press formed.
Double ball bearing in the castor head.
Plain bearing in wheels.

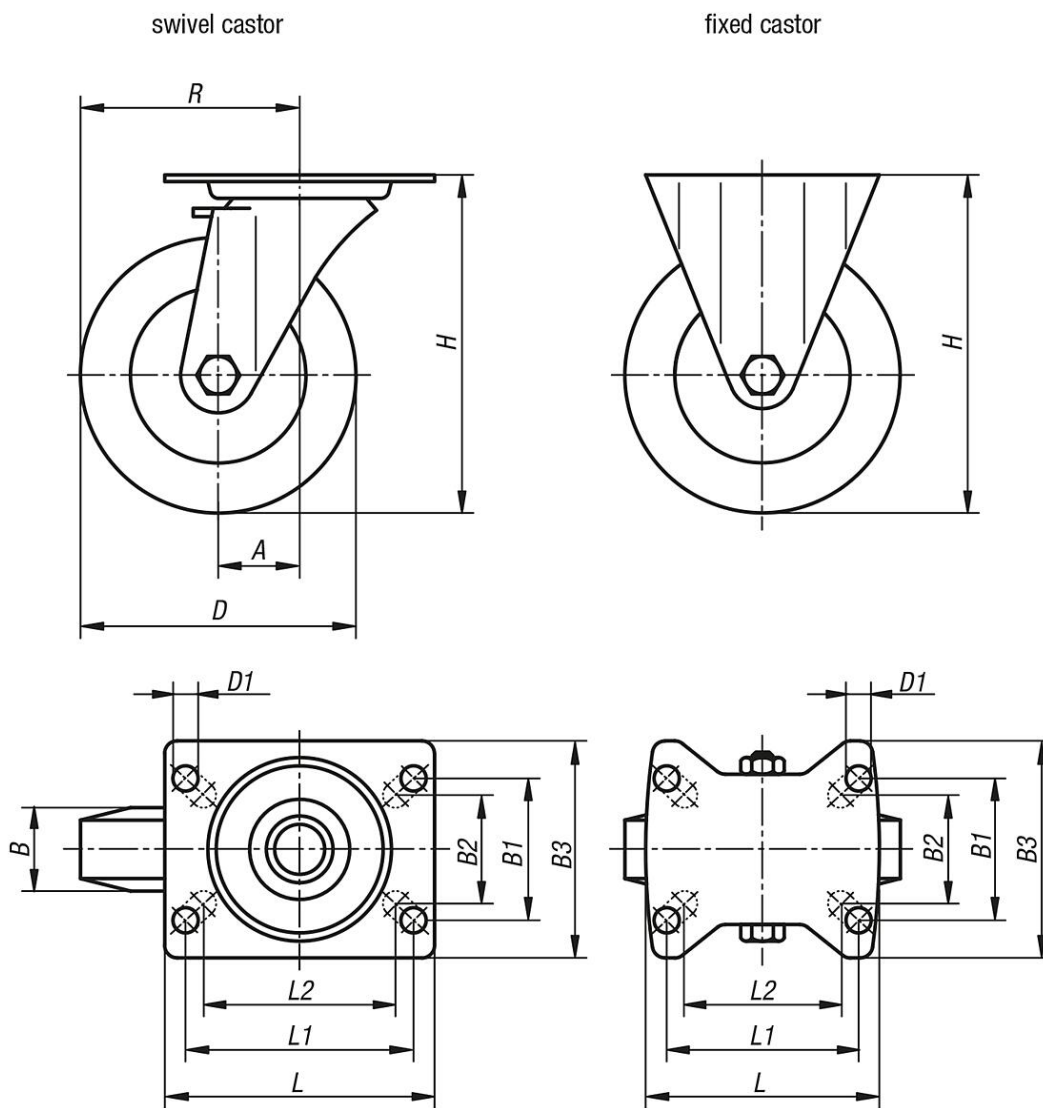
Note:

Wheel axle bolted.
Swivel and fixed castors with mounting plate.
Vibratory ground surface.
Stainless.

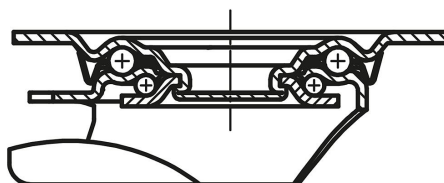
Temperature range:

-25 °C to +80 °C.

Drawings



swivel head bearing:



Overview of items

Order No.	Item	Version 1	Wheel bearing	A	B	B1	B2	B3	D	D1	H	L	L1	L2	R	Permissible load kg
95041-210750321	Fixed castor	without locking system	plain bearing	-	32	60	55	85	75	9	100	100	80	76	-	150
95041-211000371	Fixed castor	without locking system	plain bearing	-	37	60	55	85	100	9	125	100	80	76	-	150
95041-211250401	Fixed castor	without locking system	plain bearing	-	40	60	55	85	125	9	150	100	80	76	-	150
95041-211500501	Fixed castor	without locking system	plain bearing	-	50	80	75	110	150	11	190	140	105	-	-	300
95041-21075032	Swivel castor	without locking system	plain bearing	38	32	60	55	85	75	9	100	100	80	76	75,5	150
95041-21100037	Swivel castor	without locking system	plain bearing	36	37	60	55	85	100	9	125	100	80	76	86	150
95041-21125040	Swivel castor	without locking system	plain bearing	40	40	60	55	85	125	9	150	100	80	76	102,5	150
95041-21150050	Swivel castor	without locking system	plain bearing	54	50	80	75	110	150	11	190	140	105	-	129	300

Overview of items

Order No.	Item	Version 1	Wheel bearing	A	B	B1	B2	B3	D	D1	H	L	L1	L2	R	Permissible load kg
95041-210750322	Swivel castor	with stop-fix locking system	plain bearing	38	32	60	55	85	75	9	100	100	80	76	75,5	150
95041-211000372	Swivel castor	with stop-fix locking system	plain bearing	36	37	60	55	85	100	9	125	100	80	76	86	150
95041-211250402	Swivel castor	with stop-fix locking system	plain bearing	40	40	60	55	85	125	9	150	100	80	76	102,5	150
95041-211500502	Swivel castor	with stop-fix locking system	plain bearing	54	50	80	75	110	150	11	190	140	105	-	129	300