

## Item description/product images



## Description

**Material:**

Housing, steel plate.  
 Wheel tread, high quality polyurethane elastomere.  
 Wheel rims, die-cast aluminium.

**Version:**

Housing, press-formed.  
 Swivel housing, double-row ball bearings in a swivel head.  
 Ball bearing wheel axle bearings.

**Note:**

Wheel axle bolted.  
 Swivel and fixed castors with mounting plate.

**Application:**

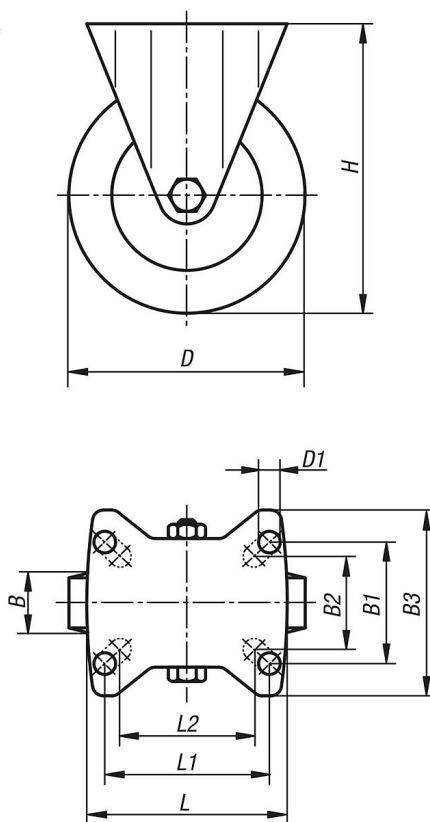
Heavy loads can be easily transported using this load handling equipment. The roll and swivel resistance is reduced with this new wheel series designed for intralogistic heavy load applications.

**Temperature range:**

-25 °C to +70 °C

## Drawings

fixed castor



## Overview of items

Order No.	Item	Wheel bearing	B	B1	B2	B3	D	D1	H	L	L1	L2	Permissible load kg
95025-01-1010004011	Fixed castor	ball bearing	40	60	55	85	100	9	130	100	80	76	350
95025-01-1010004013	Fixed castor	ball bearing	40	80	75	110	100	11	130	140	105	-	350
95025-01-1012504011	Fixed castor	ball bearing	40	60	55	85	125	9	155	100	80	76	350
95025-01-1012504013	Fixed castor	ball bearing	40	80	75	110	125	11	155	140	105	-	350
95025-01-101500501	Fixed castor	ball bearing	50	80	75	110	150	11	197	140	105	-	500
95025-01-101600501	Fixed castor	ball bearing	50	80	75	110	160	11	202	140	105	-	550
95025-01-102000501	Fixed castor	ball bearing	50	80	75	110	200	11	245	140	105	-	600