

Item description/product images



Description

Material:

Clamping element steel, clamping screws brass.

Version:

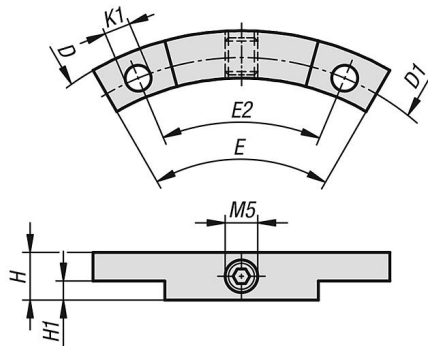
Clamping element bright.

Note:

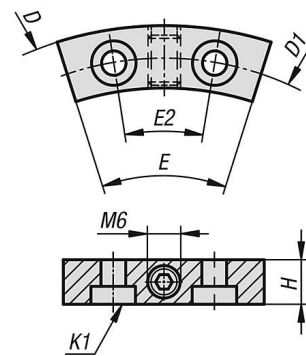
Clamping element for screwing onto the outer ring of the rotary stage plain bearing 21245-01. 1 Nm tightening torque gives 10 Nm retaining torque.

Drawings

21245-01-9100



21245-01-9160



Overview of items

Order No.	D	D1	E	E2	H	H1	K1	Suitable for
21245-01-9100	100	91	60°	45°	8	3,2	Ø 4,5	21245-01-1110030
21245-01-9160	160	145	35°	18°	10	-	DIN 7984 M5	21245-01-1116060