

## Item description/product images



## Description

**Material:**

Low-carbon steel.

**Version:**

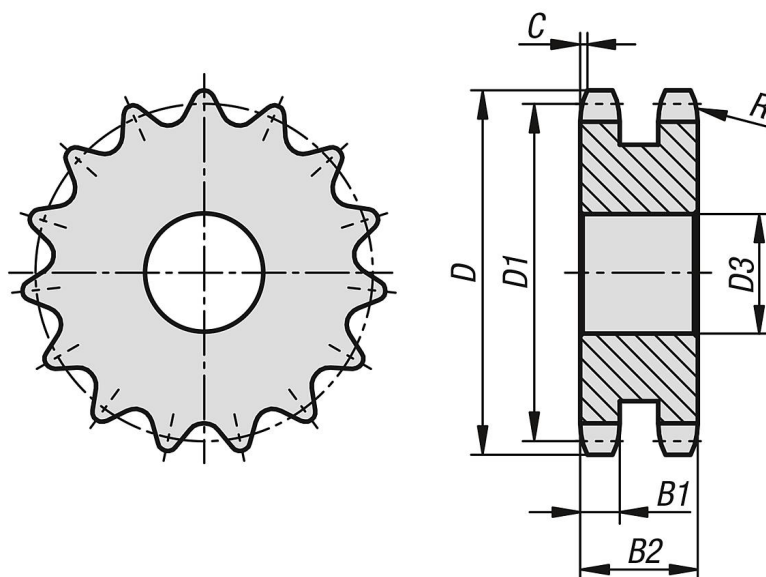
Bright, not hardened (cannot be hardened).

**Note:**

Sprockets for DIN ISO 606 roller chains.

The disc sprockets have a centre bore or are pre-drilled (this can vary due to production methods). For this reason, the dimension D3 max. given in the table is the maximum diameter of the bore that the disc sprockets are supplied with. This pilot hole/centre bore can be customised with a reamed hole, reamed hole with keyway or a tapped hole by the customer. Alternatively, bushes can be fitted by the customer to reduce the diameter.

## Drawings



## Overview of items

| Order No.         | ISO No. | Pitch<br>inch | Pitch<br>mm   | No. of<br>teeth | D     | D1     | D3<br>max. | B1   | B2   | C | R  |
|-------------------|---------|---------------|---------------|-----------------|-------|--------|------------|------|------|---|----|
| 22265-30340716008 | 12 B-2  | 3/4 x 7/16    | 19,05 x 11,68 | 8               | 58    | 49,78  | 12         | 10,8 | 30,3 | 2 | 19 |
| 22265-30340716009 | 12 B-2  | 3/4 x 7/16    | 19,05 x 11,68 | 9               | 63,9  | 55,7   | 12         | 10,8 | 30,3 | 2 | 19 |
| 22265-30340716010 | 12 B-2  | 3/4 x 7/16    | 19,05 x 11,68 | 10              | 69,8  | 61,64  | 12         | 10,8 | 30,3 | 2 | 19 |
| 22265-30340716011 | 12 B-2  | 3/4 x 7/16    | 19,05 x 11,68 | 11              | 75,8  | 67,61  | 12         | 10,8 | 30,3 | 2 | 19 |
| 22265-30340716012 | 12 B-2  | 3/4 x 7/16    | 19,05 x 11,68 | 12              | 81,8  | 73,5   | 14         | 10,8 | 30,3 | 2 | 19 |
| 22265-30340716013 | 12 B-2  | 3/4 x 7/16    | 19,05 x 11,68 | 13              | 87,8  | 79,59  | 14         | 10,8 | 30,3 | 2 | 19 |
| 22265-30340716014 | 12 B-2  | 3/4 x 7/16    | 19,05 x 11,68 | 14              | 93,8  | 85,61  | 16         | 10,8 | 30,3 | 2 | 19 |
| 22265-30340716015 | 12 B-2  | 3/4 x 7/16    | 19,05 x 11,68 | 15              | 99,8  | 91,63  | 16         | 10,8 | 30,3 | 2 | 19 |
| 22265-30340716016 | 12 B-2  | 3/4 x 7/16    | 19,05 x 11,68 | 16              | 105,8 | 97,65  | 16         | 10,8 | 30,3 | 2 | 19 |
| 22265-30340716017 | 12 B-2  | 3/4 x 7/16    | 19,05 x 11,68 | 17              | 111,9 | 103,67 | 16         | 10,8 | 30,3 | 2 | 19 |
| 22265-30340716018 | 12 B-2  | 3/4 x 7/16    | 19,05 x 11,68 | 18              | 117,9 | 109,71 | 16         | 10,8 | 30,3 | 2 | 19 |
| 22265-30340716019 | 12 B-2  | 3/4 x 7/16    | 19,05 x 11,68 | 19              | 123,9 | 115,75 | 16         | 10,8 | 30,3 | 2 | 19 |

## Overview of items

| Order No.         | ISO No. | Pitch<br>inch | Pitch<br>mm   | No. of<br>teeth | D     | D1     | D3<br>max. | B1   | B2   | C | R  |
|-------------------|---------|---------------|---------------|-----------------|-------|--------|------------|------|------|---|----|
| 22265-30340716020 | 12 B-2  | 3/4 x 7/16    | 19,05 x 11,68 | 20              | 130   | 121,78 | 16         | 10,8 | 30,3 | 2 | 19 |
| 22265-30340716021 | 12 B-2  | 3/4 x 7/16    | 19,05 x 11,68 | 21              | 136   | 127,82 | 20         | 10,8 | 30,3 | 2 | 19 |
| 22265-30340716022 | 12 B-2  | 3/4 x 7/16    | 19,05 x 11,68 | 22              | 142   | 133,86 | 20         | 10,8 | 30,3 | 2 | 19 |
| 22265-30340716023 | 12 B-2  | 3/4 x 7/16    | 19,05 x 11,68 | 23              | 148,1 | 139,9  | 20         | 10,8 | 30,3 | 2 | 19 |
| 22265-30340716024 | 12 B-2  | 3/4 x 7/16    | 19,05 x 11,68 | 24              | 154,1 | 145,94 | 20         | 10,8 | 30,3 | 2 | 19 |
| 22265-30340716025 | 12 B-2  | 3/4 x 7/16    | 19,05 x 11,68 | 25              | 160,2 | 152    | 20         | 10,8 | 30,3 | 2 | 19 |
| 22265-30340716026 | 12 B-2  | 3/4 x 7/16    | 19,05 x 11,68 | 26              | 166,2 | 158,04 | 20         | 10,8 | 30,3 | 2 | 19 |
| 22265-30340716027 | 12 B-2  | 3/4 x 7/16    | 19,05 x 11,68 | 27              | 172,3 | 164,09 | 20         | 10,8 | 30,3 | 2 | 19 |
| 22265-30340716028 | 12 B-2  | 3/4 x 7/16    | 19,05 x 11,68 | 28              | 178,3 | 170,13 | 20         | 10,8 | 30,3 | 2 | 19 |
| 22265-30340716029 | 12 B-2  | 3/4 x 7/16    | 19,05 x 11,68 | 29              | 184,4 | 176,19 | 20         | 10,8 | 30,3 | 2 | 19 |
| 22265-30340716030 | 12 B-2  | 3/4 x 7/16    | 19,05 x 11,68 | 30              | 190,4 | 182,25 | 20         | 10,8 | 30,3 | 2 | 19 |
| 22265-30340716031 | 12 B-2  | 3/4 x 7/16    | 19,05 x 11,68 | 31              | 196,5 | 188,31 | 20         | 10,8 | 30,3 | 2 | 19 |
| 22265-30340716032 | 12 B-2  | 3/4 x 7/16    | 19,05 x 11,68 | 32              | 202,5 | 194,35 | 20         | 10,8 | 30,3 | 2 | 19 |
| 22265-30340716033 | 12 B-2  | 3/4 x 7/16    | 19,05 x 11,68 | 33              | 208,6 | 200,4  | 20         | 10,8 | 30,3 | 2 | 19 |
| 22265-30340716034 | 12 B-2  | 3/4 x 7/16    | 19,05 x 11,68 | 34              | 214,6 | 206,46 | 20         | 10,8 | 30,3 | 2 | 19 |
| 22265-30340716035 | 12 B-2  | 3/4 x 7/16    | 19,05 x 11,68 | 35              | 220,7 | 212,52 | 20         | 10,8 | 30,3 | 2 | 19 |
| 22265-30340716036 | 12 B-2  | 3/4 x 7/16    | 19,05 x 11,68 | 36              | 226,8 | 218,58 | 25         | 10,8 | 30,3 | 2 | 19 |
| 22265-30340716037 | 12 B-2  | 3/4 x 7/16    | 19,05 x 11,68 | 37              | 232,8 | 224,64 | 25         | 10,8 | 30,3 | 2 | 19 |
| 22265-30340716038 | 12 B-2  | 3/4 x 7/16    | 19,05 x 11,68 | 38              | 238,9 | 230,69 | 25         | 10,8 | 30,3 | 2 | 19 |
| 22265-30340716039 | 12 B-2  | 3/4 x 7/16    | 19,05 x 11,68 | 39              | 244,9 | 236,75 | 25         | 10,8 | 30,3 | 2 | 19 |
| 22265-30340716040 | 12 B-2  | 3/4 x 7/16    | 19,05 x 11,68 | 40              | 251   | 242,81 | 25         | 10,8 | 30,3 | 2 | 19 |
| 22265-30340716041 | 12 B-2  | 3/4 x 7/16    | 19,05 x 11,68 | 41              | 258,9 | 248,87 | 25         | 10,8 | 30,3 | 2 | 19 |
| 22265-30340716042 | 12 B-2  | 3/4 x 7/16    | 19,05 x 11,68 | 42              | 265   | 254,93 | 25         | 10,8 | 30,3 | 2 | 19 |
| 22265-30340716043 | 12 B-2  | 3/4 x 7/16    | 19,05 x 11,68 | 43              | 271,1 | 260,98 | 25         | 10,8 | 30,3 | 2 | 19 |
| 22265-30340716044 | 12 B-2  | 3/4 x 7/16    | 19,05 x 11,68 | 44              | 277,1 | 267,03 | 25         | 10,8 | 30,3 | 2 | 19 |
| 22265-30340716045 | 12 B-2  | 3/4 x 7/16    | 19,05 x 11,68 | 45              | 283,2 | 273,1  | 25         | 10,8 | 30,3 | 2 | 19 |
| 22265-30340716046 | 12 B-2  | 3/4 x 7/16    | 19,05 x 11,68 | 46              | 289,2 | 279,16 | 25         | 10,8 | 30,3 | 2 | 19 |
| 22265-30340716047 | 12 B-2  | 3/4 x 7/16    | 19,05 x 11,68 | 47              | 295,3 | 285,21 | 25         | 10,8 | 30,3 | 2 | 19 |
| 22265-30340716048 | 12 B-2  | 3/4 x 7/16    | 19,05 x 11,68 | 48              | 301,4 | 291,27 | 25         | 10,8 | 30,3 | 2 | 19 |
| 22265-30340716050 | 12 B-2  | 3/4 x 7/16    | 19,05 x 11,68 | 50              | 313,5 | 303,39 | 25         | 10,8 | 30,3 | 2 | 19 |
| 22265-30340716052 | 12 B-2  | 3/4 x 7/16    | 19,05 x 11,68 | 52              | 325,6 | 315,5  | 25         | 10,8 | 30,3 | 2 | 19 |
| 22265-30340716054 | 12 B-2  | 3/4 x 7/16    | 19,05 x 11,68 | 54              | 337,7 | 327,64 | 25         | 10,8 | 30,3 | 2 | 19 |
| 22265-30340716055 | 12 B-2  | 3/4 x 7/16    | 19,05 x 11,68 | 55              | 343,8 | 333,7  | 25         | 10,8 | 30,3 | 2 | 19 |
| 22265-30340716056 | 12 B-2  | 3/4 x 7/16    | 19,05 x 11,68 | 56              | 349,8 | 339,75 | 25         | 10,8 | 30,3 | 2 | 19 |
| 22265-30340716057 | 12 B-2  | 3/4 x 7/16    | 19,05 x 11,68 | 57              | 355,9 | 345,81 | 25         | 10,8 | 30,3 | 2 | 19 |
| 22265-30340716058 | 12 B-2  | 3/4 x 7/16    | 19,05 x 11,68 | 58              | 362   | 351,87 | 25         | 10,8 | 30,3 | 2 | 19 |
| 22265-30340716060 | 12 B-2  | 3/4 x 7/16    | 19,05 x 11,68 | 60              | 374,1 | 363,99 | 25         | 10,8 | 30,3 | 2 | 19 |
| 22265-30340716064 | 12 B-2  | 3/4 x 7/16    | 19,05 x 11,68 | 64              | 398,3 | 388,24 | 30         | 10,8 | 30,3 | 2 | 19 |
| 22265-30340716065 | 12 B-2  | 3/4 x 7/16    | 19,05 x 11,68 | 65              | 404,4 | 394,29 | 30         | 10,8 | 30,3 | 2 | 19 |
| 22265-30340716068 | 12 B-2  | 3/4 x 7/16    | 19,05 x 11,68 | 68              | 422,6 | 412,49 | 30         | 10,8 | 30,3 | 2 | 19 |
| 22265-30340716070 | 12 B-2  | 3/4 x 7/16    | 19,05 x 11,68 | 70              | 434,7 | 424,61 | 30         | 10,8 | 30,3 | 2 | 19 |
| 22265-30340716072 | 12 B-2  | 3/4 x 7/16    | 19,05 x 11,68 | 72              | 446,8 | 436,74 | 30         | 10,8 | 30,3 | 2 | 19 |
| 22265-30340716075 | 12 B-2  | 3/4 x 7/16    | 19,05 x 11,68 | 75              | 465   | 454,91 | 30         | 10,8 | 30,3 | 2 | 19 |
| 22265-30340716076 | 12 B-2  | 3/4 x 7/16    | 19,05 x 11,68 | 76              | 471,1 | 460,99 | 30         | 10,8 | 30,3 | 2 | 19 |
| 22265-30340716080 | 12 B-2  | 3/4 x 7/16    | 19,05 x 11,68 | 80              | 495,3 | 485,22 | 30         | 10,8 | 30,3 | 2 | 19 |
| 22265-30340716085 | 12 B-2  | 3/4 x 7/16    | 19,05 x 11,68 | 85              | 525,6 | 515,55 | 30         | 10,8 | 30,3 | 2 | 19 |
| 22265-30340716090 | 12 B-2  | 3/4 x 7/16    | 19,05 x 11,68 | 90              | 555,9 | 545,86 | 30         | 10,8 | 30,3 | 2 | 19 |
| 22265-30340716095 | 12 B-2  | 3/4 x 7/16    | 19,05 x 11,68 | 95              | 586,2 | 576,17 | 30         | 10,8 | 30,3 | 2 | 19 |
| 22265-30340716100 | 12 B-2  | 3/4 x 7/16    | 19,05 x 11,68 | 100             | 616,6 | 606,47 | 30         | 10,8 | 30,3 | 2 | 19 |
| 22265-30340716114 | 12 B-2  | 3/4 x 7/16    | 19,05 x 11,68 | 114             | 701,4 | 691,36 | 30         | 10,8 | 30,3 | 2 | 19 |
| 22265-30340716125 | 12 B-2  | 3/4 x 7/16    | 19,05 x 11,68 | 125             | 768,1 | 758,05 | 30         | 10,8 | 30,3 | 2 | 19 |