

Item description/product images



Description

Material:

Stainless steel 1.4301.

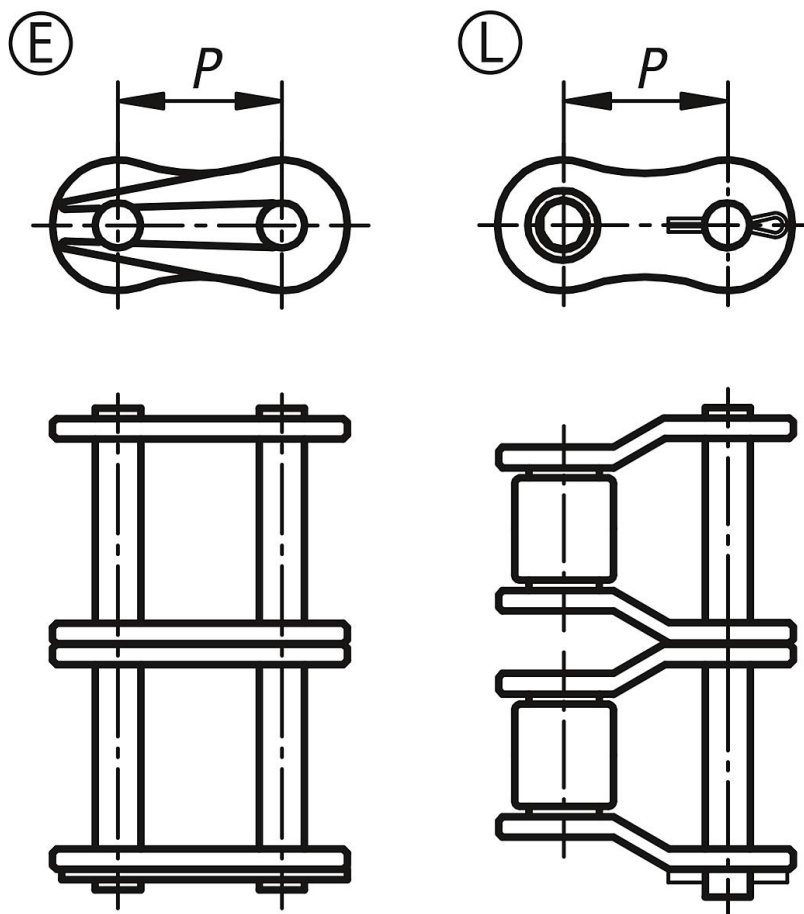
Note:

Connecting links for DIN ISO 606 duplex roller chains.

By Form E, the spring clip must be mounted with the closed end facing the direction of movement.

Offset links are required to close the chain if there is an odd number of links. Using offset links reduces the power and tensile strength by 20%.

Drawings



Overview of items

Order No.	Form	Version 2	Version	ISO No.	P	Suitable for chains
22213-30380732	E	-	-	06 B-2	9,525	3/8 x 7/32
22213-30120516	E	-	-	08 B-2	12,7	1/2 x 5/16
22213-30580308	E	-	-	10 B-2	15,875	5/8 x 3/8
22213-30340716	E	-	-	12 B-2	19,05	3/4 x 7/16
22213-31001702	E	-	-	16 B-2	25,4	1 x 17,02 mm
22213-40380732	L	-	-	06 B-2	9,525	3/8 x 7/32
22213-40120516	L	-	-	08 B-2	12,7	1/2 x 5/16
22213-40580308	L	-	-	10 B-2	15,875	5/8 x 3/8

Overview of items

Order No.	Form	Version 2	Version	ISO No.	P	Suitable for chains
22213-40340716	L	-	-	12 B-2	19,05	3/4 x 7/16
22213-41001702	L	-	-	16 B-2	25,4	1 x 17,02 mm