

Item description/product images



Description

Material:

Steel C45.

Version:

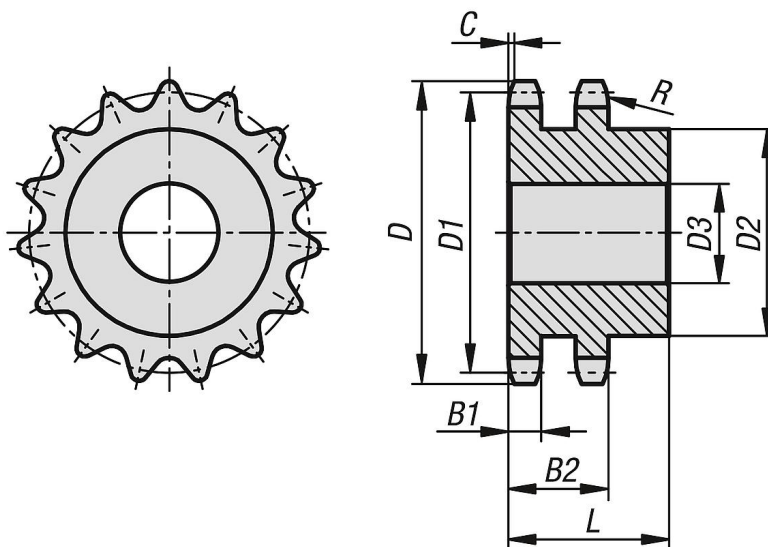
Bright, not hardened.

Note:

Sprockets with hub one side for DIN ISO 606 roller chains.

The sprockets have a centre bore or are pre-drilled (this can vary due to production methods). For this reason, the dimension D3 max. given in the table is the maximum diameter of the bore that the sprockets are supplied with. This pilot hole/centre bore can be customised with a reamed hole, reamed hole with keyway or a tapped hole by the customer. Alternatively, bushes can be fitted by the customer to reduce the diameter.

Drawings



Overview of items

Order No.	ISO No.	Pitch mm	No. of teeth	D	D1	D2	D3 max.	B1	B2	L	C	R
22253-20800030008	05 B-2	8,0 x 3,0	8	23,4	20,9	12	6	2,7	8,3	18	0,8	8
22253-20800030009	05 B-2	8,0 x 3,0	9	25,9	23,39	15	6	2,7	8,3	18	0,8	8
22253-20800030010	05 B-2	8,0 x 3,0	10	28,4	25,89	17	8	2,7	8,3	18	0,8	8
22253-20800030011	05 B-2	8,0 x 3,0	11	31	28,39	19	8	2,7	8,3	18	0,8	8
22253-20800030012	05 B-2	8,0 x 3,0	12	33,7	30,91	21	8	2,7	8,3	18	0,8	8
22253-20800030013	05 B-2	8,0 x 3,0	13	36,7	33,42	24	8	2,7	8,3	18	0,8	8
22253-20800030014	05 B-2	8,0 x 3,0	14	39,2	35,95	26	8	2,7	8,3	18	0,8	8
22253-20800030015	05 B-2	8,0 x 3,0	15	41,7	38,48	29	8	2,7	8,3	18	0,8	8
22253-20800030016	05 B-2	8,0 x 3,0	16	44,2	41,01	32	10	2,7	8,3	20	0,8	8
22253-20800030017	05 B-2	8,0 x 3,0	17	46,7	43,53	34	10	2,7	8,3	20	0,8	8
22253-20800030018	05 B-2	8,0 x 3,0	18	49,2	46,07	37	10	2,7	8,3	20	0,8	8
22253-20800030019	05 B-2	8,0 x 3,0	19	51,7	48,61	39	10	2,7	8,3	20	0,8	8
22253-20800030020	05 B-2	8,0 x 3,0	20	54,2	51,14	40	10	2,7	8,3	20	0,8	8
22253-20800030021	05 B-2	8,0 x 3,0	21	57,2	53,67	45	12	2,7	8,3	20	0,8	8
22253-20800030022	05 B-2	8,0 x 3,0	22	59,4	56,21	45	12	2,7	8,3	20	0,8	8
22253-20800030023	05 B-2	8,0 x 3,0	23	62,2	58,75	45	12	2,7	8,3	20	0,8	8

Overview of items

Order No.	ISO No.	Pitch mm	No. of teeth	D	D1	D2	D3 max.	B1	B2	L	C	R
22253-20800030024	05 B-2	8,0 x 3,0	24	64,7	61,29	45	12	2,7	8,3	20	0,8	8
22253-20800030025	05 B-2	8,0 x 3,0	25	67,2	63,83	45	12	2,7	8,3	20	0,8	8
22253-20800030026	05 B-2	8,0 x 3,0	26	69,7	66,37	50	12	2,7	8,3	22	0,8	8
22253-20800030027	05 B-2	8,0 x 3,0	27	72,3	68,91	50	12	2,7	8,3	22	0,8	8
22253-20800030030	05 B-2	8,0 x 3,0	30	80,2	76,53	50	12	2,7	8,3	22	0,8	8
22253-20800030032	05 B-2	8,0 x 3,0	32	85,2	81,61	60	12	2,7	8,3	22	0,8	8
22253-20800030035	05 B-2	8,0 x 3,0	35	92,7	89,24	60	12	2,7	8,3	22	0,8	8
22253-20800030036	05 B-2	8,0 x 3,0	36	95,2	91,79	60	12	2,7	8,3	22	0,8	8
22253-20800030038	05 B-2	8,0 x 3,0	38	100,2	96,88	60	12	2,7	8,3	22	0,8	8
22253-20800030040	05 B-2	8,0 x 3,0	40	105,7	101,97	60	12	2,7	8,3	22	0,8	8