

## Item description/product images



## Description

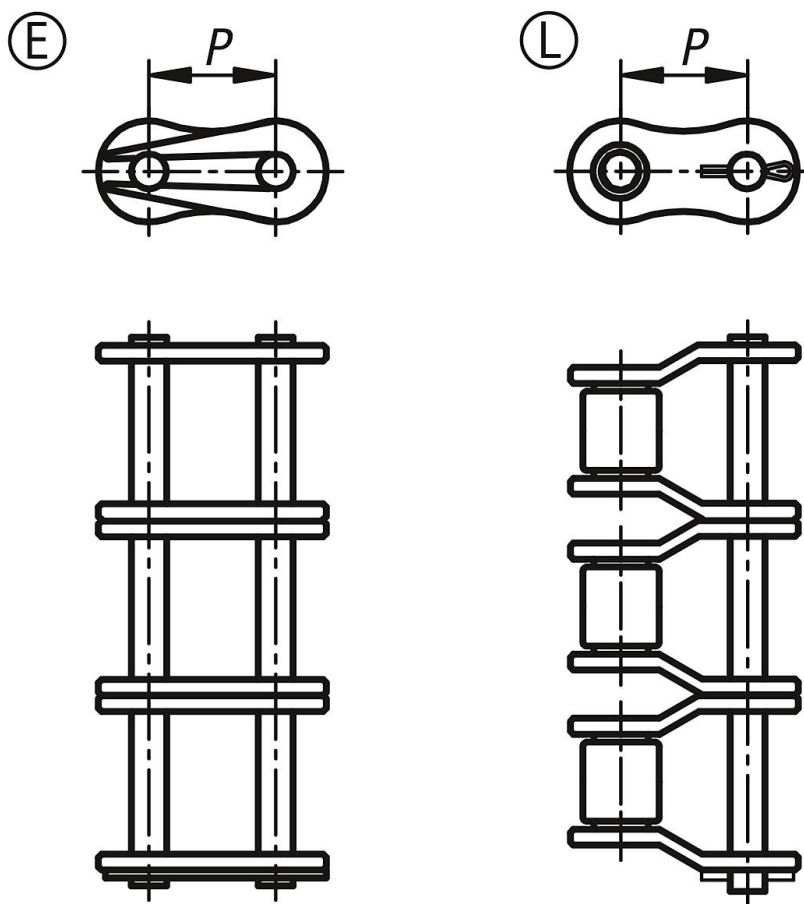
**Material:**  
Steel.

**Note:**  
Connecting links for DIN ISO 606 triplex roller chains.

By Form E, the spring clip must be mounted with the closed end facing in the direction of movement.

Offset links are required to close the chain if there is an odd number of links. Using offset links reduces the power and tensile strength by 20%.

## Drawings



## Overview of items

Order No.	Form	ISO No.	P	Suitable for chains
22202-30380732	E	06 B-3	9,525	3/8 x 7/32
22202-30120516	E	08 B-3	12,7	1/2 x 5/16
22202-30580308	E	10 B-3	15,875	5/8 x 3/8
22202-30340716	E	12 B-3	19,05	3/4 x 7/16
22202-31001702	E	16 B-3	25,4	1 x 17,02 mm
22202-40380732	L	06 B-3	9,525	3/8 x 7/32
22202-40120516	L	08 B-3	12,7	1/2 x 5/16
22202-40580308	L	10 B-3	15,875	5/8 x 3/8

## Overview of items

Order No.	Form	ISO No.	P	Suitable for chains
22202-40340716	L	12 B-3	19,05	3/4 x 7/16
22202-41001702	L	16 B-3	25,4	1 x 17,02 mm