

Item description/product images



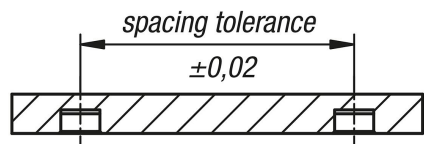
Description

Material:
Carbon steel.

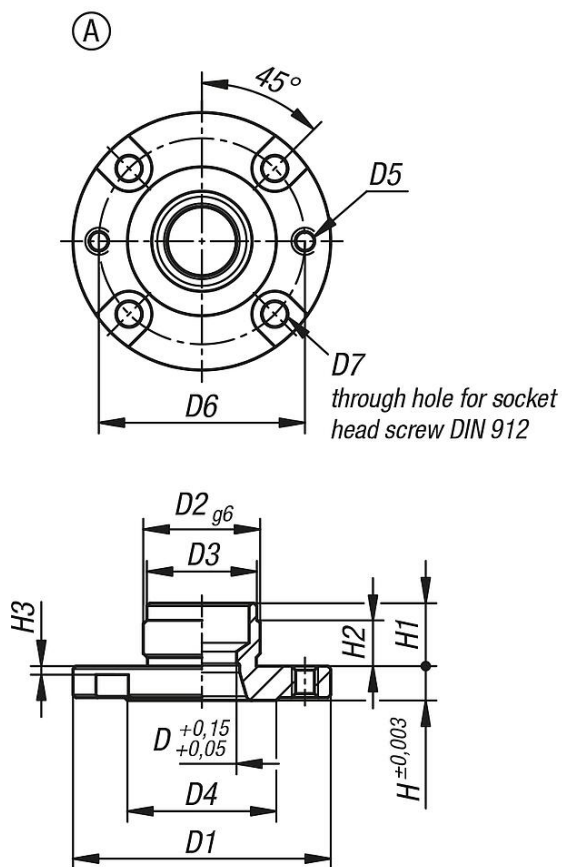
Version:
Housing hardened and black oxidised.
Contact faces ground.

Note:
Locating bushes are placed in a fixture or interchangeable subplate and form the counterpart to the locating cylinder.
The locating bushes are centred in a reamed hole and then fastened with 4 screws. The balls of the locating cylinder engage in the groove in the locating bush, thereby forming a fast, secure and highly accurate changeover unit, and reducing setup and changeover times.

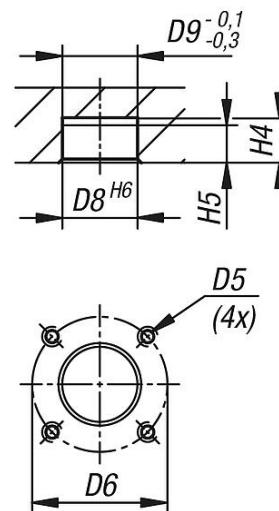
Attention:
Please observe installation notes of the locating bushes.



Drawings



mounting instructions:



Overview of items

Order No.	Form	D	D1	D2	D3	D4	D5	D6	D7	D8	D9	H	H1	H2	H3	H4	H5
03161-03-11660	A	16	60	28	27,5	38	M5	50	M5	28	28	8	15	10	2,5	16	12
03161-03-12075	A	20	75	36	35,5	48	M6	62	M6	36	36	10	19	14	3,5	20	16

Overview of items
