

Item description/product images

**Description****Material:**

Grip thermoplastic.
 Push button 1.4305 stainless steel.
 Pin 1.4305 stainless steel.
 Balls 1.4125 stainless steel.
 Spring 1.4310 stainless steel wire.

Version:

Grip black grey.
 Stainless steel bright.

Note:

Ball lock pins are used for easy fastening or joining of components. The two balls are disengaged by pressing the push button and the pin can be slipped into holes in the workpieces. When the push button is released, the balls lock the connection securely.

Shear force double shear (F) = S · τ aB max.

The values given for the shear force are the theoretical breaking load. These are non-binding reference values without consideration of safety factors and exclude any liability. The values given are for information purposes only and do not constitute a legally binding assurance of properties.

The load values have been calculated in accordance with DIN 50141. Each user must determine individually whether the ball lock pin is suitable for the respective application.

Different materials in which the ball lock pins are used, weather conditions and wear can influence the determined values.

Advantages:

Wide connections possible.
 The pin length does not need to be coordinated with the component width.

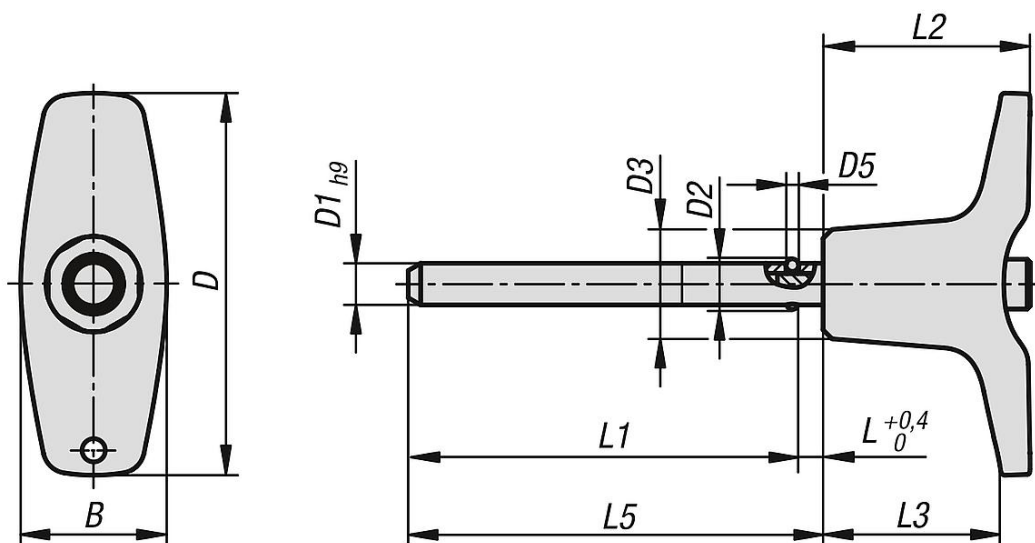
On request:

Other pin lengths.

Accessory:

Adapter bushes for ball lock pins with head lock 03425
 Safety spiral cable 03199
 Retaining cable with eyelet 03199
 Key ring 03199

Drawings



Overview of items

Order No.	B	D	D1	D2	D3	D5	L	L1	L2	L3	L5	Receiving hole H11	Shearing force double shear max.kN
03420-10-204605050	17,6	46	5	5,5	13,2	1,5	3	47	25	19,4	50	5	10
03420-10-204605100	17,6	46	5	5,5	13,2	1,5	3	97	25	19,4	100	5	10
03420-10-204605150	17,6	46	5	5,5	13,2	1,5	3	147	25	19,4	150	5	10
03420-10-204606050	17,6	46	6	6,85	13,2	2	3	47	25	19,4	50	6	14
03420-10-204606100	17,6	46	6	6,85	13,2	2	3	97	25	19,4	100	6	14
03420-10-204606150	17,6	46	6	6,85	13,2	2	3	147	25	19,4	150	6	14
03420-10-206308100	23	62,9	8	9,5	17,3	3	3,5	96,5	33	24,4	100	8	26
03420-10-206308150	23	62,9	8	9,5	17,3	3	3,5	146,5	33	24,4	150	8	26
03420-10-206308200	23	62,9	8	9,5	17,3	3	3,5	196,5	33	24,4	200	8	26
03420-10-206310100	23	62,9	10	12	17,3	4	3,5	96,5	33	24,4	100	10	40
03420-10-206310150	23	62,9	10	12	17,3	4	3,5	146,5	33	24,4	150	10	40
03420-10-206310200	23	62,9	10	12	17,3	4	3,5	196,5	33	24,4	200	10	40
03420-10-208212150	33	81,8	12	14,5	26,3	4,5	3,5	146,5	39,5	28,8	150	12	57
03420-10-208212200	33	81,8	12	14,5	26,3	4,5	3,5	196,5	39,5	28,8	200	12	57
03420-10-208212250	33	81,8	12	14,5	26,3	4,5	3,5	246,5	39,5	28,8	250	12	57
03420-10-208216150	33	81,8	16	19	26,3	6,5	4	146	39,5	28,8	150	16	100
03420-10-208216200	33	81,8	16	19	26,3	6,5	4	196	39,5	28,8	200	16	100
03420-10-208216250	33	81,8	16	19	26,3	6,5	4	246	39,5	28,8	250	16	100