

Item description/product images



Description

Material:

Housing 1.4308 stainless steel, from size 5 1.4301.

Clamping arm 1.4301 stainless steel.

Buffer natural rubber.

Screw stainless steel A2.

Version:

Housing and lever arm bright.

Screw ISO 4017, grade 70, bright.

Note:

Clamping element with integrated highly elastic, shape-retaining natural rubber buffer.

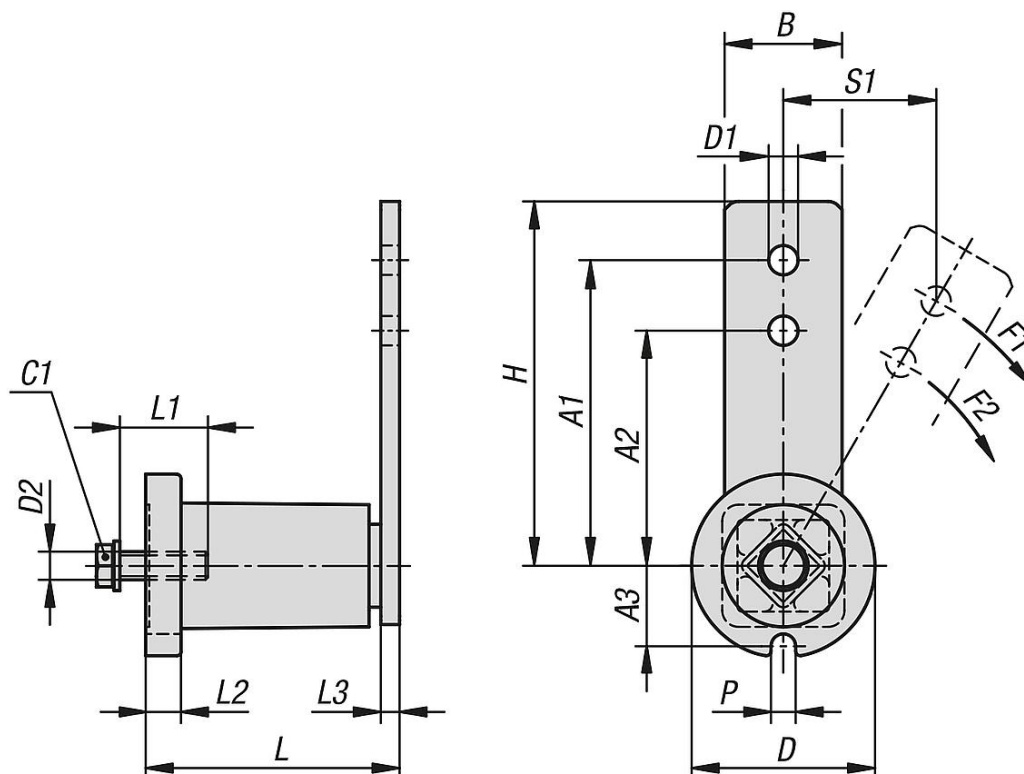
Together with a chain tensioner set, sprocket set or a tension pulley, the clamping element makes a ready-to-install tensioning unit suitable for tensioning chain and belt drives. Suitable for both tensioning directions. The clamping elements are maintenance-free and tear-off resistant.

The clamping element is fastened to the machine component through a bore. If necessary, a heavy-duty dowel pin can be inserted in the positioning notch "P" for torque support.

Temperature range:

-55 °C to +85 °C.

Drawings



Overview of items

Order No.	Size	A1	A2	A3	B	D	D1	D2	H	L	L1	L2	L3	P	S1	Tightening torque of screw C1 Nm	F1 N	F2 N
22281-14-1	1	80	60	16,6	20	37,5	8,5	M6	90	52+1 -0,5	25	6	5	8	42	10	90	110
22281-14-2	2	100	80	19,5	25	48	10,5	M8	115	63+1 -0,5	25	8	5	8,5	53	25	140	170
22281-14-3	3	100	80	24,5	30	60	10,5	M10	115	78+1,5 -0,5	30	10	6	8,5	53	48	320	430
22281-14-4	4	130	100	34	50	78	12,5	M12	155	108+2 -0,5	40	14	8	10,5	69	82	820	1050
22281-14-5	5	175	135	42	60	98	20,5	M16	205	130+2 -0,5	40	15	8	12	93	199	1500	1940