

Item description/product images



Description

Material:

Housing stainless steel 1.4404.
Piston rod stainless steel 1.4125.
Collision head plastic.

Version:

Bright.

Note:

Industrial shock absorbers are maintenance-free, ready to install hydraulic components. They have an integrated fixed stop. The adjustable version enables precise adjustment to the desired dampening level. After installation, operate and adjust the shock absorber a few times until the desired braking level is achieved. Exceeding the max. energy intake per hour is possible if temporarily disconnected or the shock absorber is cooled with cylinder exhaust air. The installation position is arbitrary.

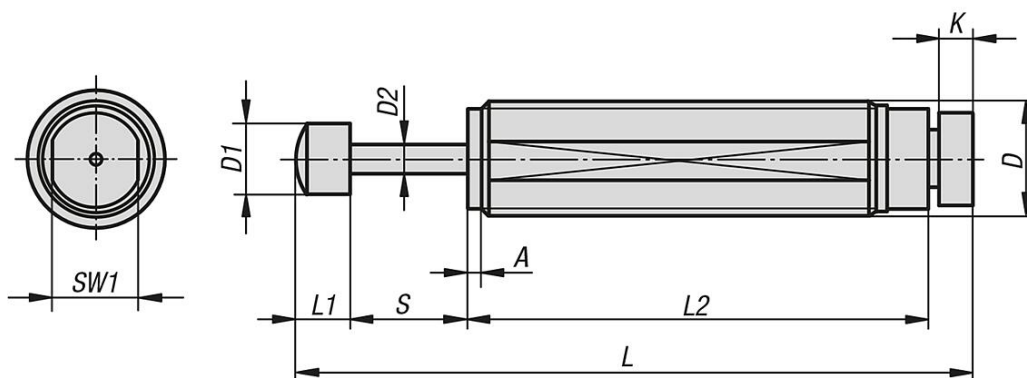
Temperature range:

-20 °C to +80 °C.

On request:

Filled with foodstuff compatible oil acc. to USDA-H1.

Drawings



Overview of items

Order No.	A	D	D1	D2	K	L	L1	L2	Travel S	SW1	max. energy input per stroke Nm	max. energy input per hour Nm	effective mass max. kg	speed range m/s	return force N
26301-0810007	2,5	M8X1	6	2,5	3,5	61,5	5,5	45	7	-	4	14400	50	V=0,2 - 3,5	6
26301-1010010	2,5	M10X1	6	3	3,5	68,5	6,5	48,5	10	-	15	24000	500	V=0,2 - 3,5	8
26301-1210012	2,5	M12X1	10	4	3,5	89,5	8	66	12	-	22	35200	800	V=0,2 - 3,5	7
26301-1410014	2,5	M14x1	10	4	4,5	105	8	78	14	13	30	50000	1500	V=0,08 - 6	23
26301-2010040	2,5	M20X1	12	6	6	181	10	125	40	18	125	95625	6300	V=0,08 - 6	23

