

## Item description/product images



## Description

**Material:**

Housing 1.4404 stainless steel.  
Actuation and fastening nut 1.4404 stainless steel.  
Tongue 1.4301 stainless steel.

**Version:**

Bright.

**Note:**

The quarter turn lock can be installed pre-assembled. For right or left use. Water and dust protected acc. to IP65 from DIN EN 60529.

Please order required tongue version separately. Every tongue can be combined with every housing.

**Accessory:**

Lock key 05586

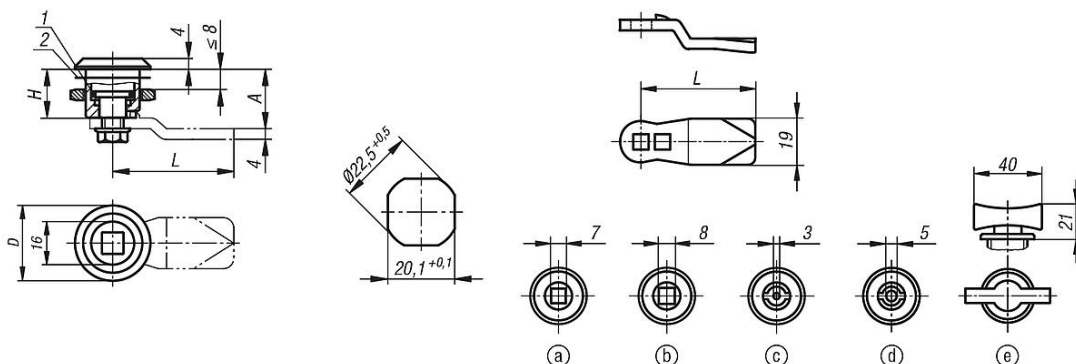
**Drawing reference:**

Actuation:

- a) square 7 mm
- b) square 8 mm
- c) double lug 3 mm
- d) double lug 5 mm
- e) wing grip

- 1) O-ring
- 2) flat seal

## Drawings



## Overview of items

## Quarter-turn locks, stainless steel, small version

Order No.	Actuation	D	H
05566-03-1718	square 7 mm	28	18
05566-03-1818	square 8 mm	28	18
05566-03-4318	double lug 3 mm	28	18
05566-03-4518	double lug 5 mm	28	18
05566-03-0018	wing grip	28	18

## Overview of items

## Tongue for quarter-turn locks

Order No.	A	L
05566-07-45060	6	45
05566-07-45080	8	45
05566-07-45100	10	45
05566-07-45140	14	45
05566-07-45160	16	45
05566-07-45180	18	45
05566-07-45200	20	45
05566-07-45220	22	45
05566-07-45240	24	45
05566-07-45260	26	45
05566-07-45280	28	45
05566-07-45320	32	45
05566-07-45500	50	45