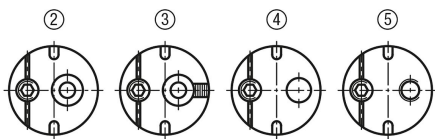


## Item description/product images



## Description

**Material:**

Stainless steel 1.4305.

**Version:**

Bright.

**Note:**

For H7 holes. Turning the grub screw creates a surface pressure. Use a face pin spanner to turn the bush to the desired position and lock it in place with the grub screw.

**Application:**

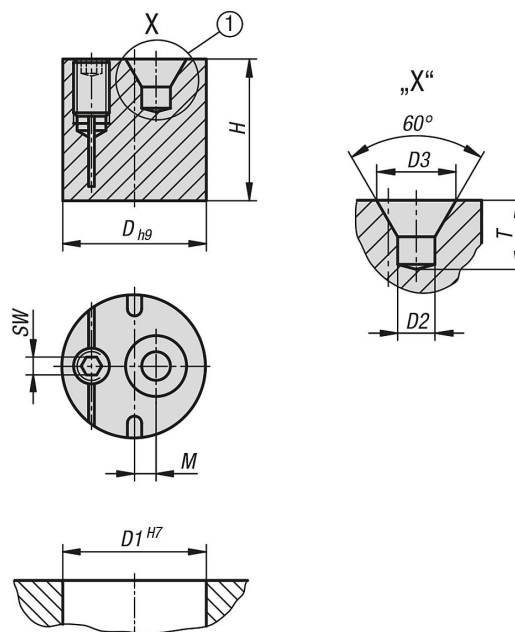
These eccentric bushes can be used as e.g. stops or tolerance compensators.

- 1) DIN 332-1 centre bore, Form A
- 2) Basic form with centring
- 3) With scale groove for visual stop
- 4) Through hole
- 5) Tapped hole

**Advantages:**

- Easy handling
- Grub screw clamping
- Minimal installation space
- Arbitrary mounting position
- Customised application
- Versatile use

## Drawings



## Overview of items

Order No.	D	D1	D2	D3	H	M	SW	T	Tightening torque Nm
03331-101	10	10	1	2,12	9,8	2,25	2	1,9	1,5
03331-121	12	12	1,6	3,35	11,8	2	2	2,9	1,5
03331-151	15	15	2,5	5,3	14,8	2,25	2,5	4,6	2
03331-181	18	18	4	8,5	15,8	2,25	2,5	7,4	2
03331-201	20	20	4	8,5	19,8	3	3	7,4	5