

## Item description/product images



## Description

**Material:**

Polyoxymethylene (POM).  
Nozzle stainless steel.

**Version:**

Colour blue/orange.

**Note:**

The extremely compact design makes this high-pressure nozzle ideal for use where space is at a premium. When screwed in position, the nozzle can be adjusted using a pin and retains its positional stability. Additional security is not required. It can be rotated 360° and withstands working pressure ranges of up to 70 bar.

Resistant to: acetone, alcohol, ethyl, grease, oil, commercially available dishwashing detergent, petrol, paint, solvents, sodium hydroxide.

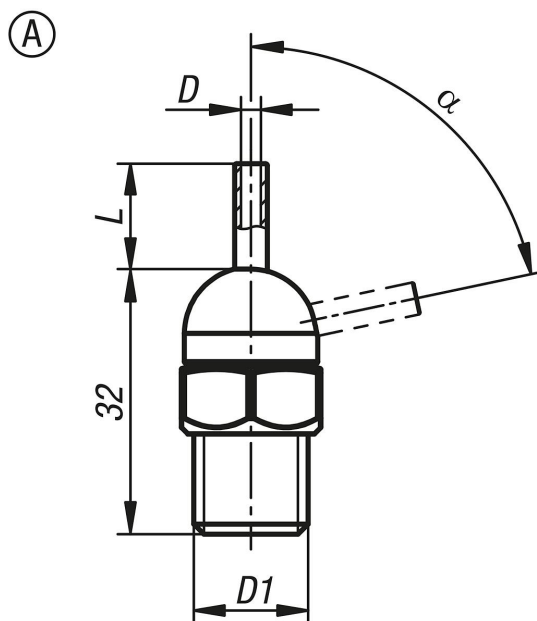
Not resistant to: chlorine, acids, ammonium hydroxide, strong bases, hypochlorite ionic solutions, sodium hypochlorite.

Nozzle pivot range up to 72°.

**Temperature range:**

Maximum temperature range 50 °C.

## Drawings



## Overview of items

Order No.	Form	D	D1	L	α
96205-11816000	A	1,6	R1/8	-	72°
96205-11816064	A	1,6	R1/8	6,4	72°
96205-11816127	A	1,6	R1/8	12,7	72°
96205-11816318	A	1,6	R1/8	31,8	72°
96205-11822000	A	2,2	R1/8	-	72°
96205-11822064	A	2,2	R1/8	6,4	72°

## Overview of items

Order No.	Form	D	D1	L	α
96205-11822127	A	2,2	R1/8	12,7	72°
96205-11822318	A	2,2	R1/8	31,8	72°
96205-11830000	A	3	R1/8	-	72°
96205-11830064	A	3	R1/8	6,4	72°
96205-11830127	A	3	R1/8	12,7	72°
96205-11830318	A	3	R1/8	31,8	72°
96205-11841000	A	4,1	R1/8	-	70°
96205-11841064	A	4,1	R1/8	6,4	70°
96205-11841127	A	4,1	R1/8	12,7	70°
96205-11841318	A	4,1	R1/8	31,8	70°
96205-11416000	A	1,6	R1/4	-	72°
96205-11416064	A	1,6	R1/4	6,4	72°
96205-11416127	A	1,6	R1/4	12,7	72°
96205-11416318	A	1,6	R1/4	31,8	72°
96205-11422000	A	2,2	R1/4	-	72°
96205-11422064	A	2,2	R1/4	6,4	72°
96205-11422127	A	2,2	R1/4	12,7	72°
96205-11422318	A	2,2	R1/4	31,8	72°
96205-11430000	A	3	R1/4	-	72°
96205-11430064	A	3	R1/4	6,4	72°
96205-11430127	A	3	R1/4	12,7	72°
96205-11430318	A	3	R1/4	31,8	72°
96205-11441000	A	4,1	R1/4	-	70°
96205-11441064	A	4,1	R1/4	6,4	70°
96205-11441127	A	4,1	R1/4	12,7	70°
96205-11441318	A	4,1	R1/4	31,8	70°