

Item description/product images



Description

Material:

Metal parts 1.4401 stainless steel.
Elastomer natural rubber, medium hardness Shore 55A, grey.

Version:

Stainless steel bright.

Note:

Rubber buffers are widely-used construction elements for elastic mounting. They are used, among other things, as mountings for aggregates, motors, compressors, pumps and testing machinery.

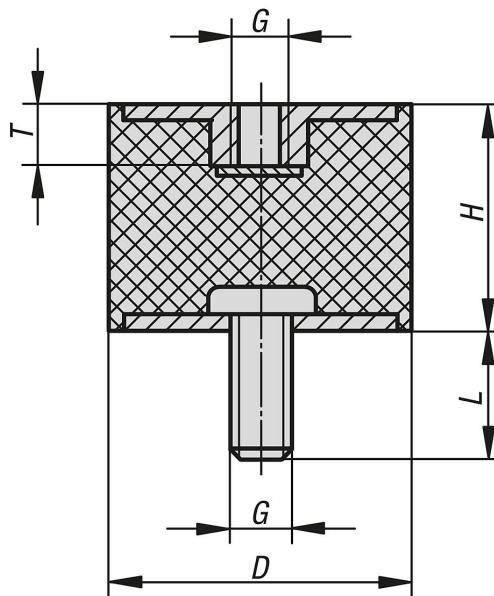
Temperature range:

-30 °C to +80 °C

On request:

Metal parts 1.4301 stainless steel.

Drawings



Overview of items

Order No.	Main material	Component colour	D	H	G	L	T	Spring stiffness N/mm	Load N
26102-01-00800855	stainless steel	grey	8	8	M3	6	3	35	17
26102-01-01001055	stainless steel	grey	10	10	M4	10	4	75	75
26102-01-01001555	stainless steel	grey	10	15	M4	10	4	50	60
26102-01-01501055	stainless steel	grey	15	10	M4	10	4	130	130
26102-01-01501555	stainless steel	grey	15	15	M4	10	4	100	120
26102-01-02001555	stainless steel	grey	20	15	M6	18	5	325	390
26102-01-02002055	stainless steel	grey	20	20	M6	18	5	130	260
26102-01-02002555	stainless steel	grey	20	25	M6	18	5	95	210
26102-01-02501555	stainless steel	grey	25	15	M6	18	5	333	399
26102-01-02502055	stainless steel	grey	25	20	M6	18	5	195	410
26102-01-02502555	stainless steel	grey	25	25	M6	18	5	117	257
26102-01-02503055	stainless steel	grey	25	30	M6	18	5	100	300

26102-01 Rubber buffers stainless steel type B cylindrical with external thread and internal thread, grey



Overview of items

Order No.	Main material	Component colour	D	H	G	L	T	Spring stiffness N/mm	Load N
26102-01-03001555	stainless steel	grey	30	15	M8	23	7	590	708
26102-01-03002055	stainless steel	grey	30	20	M8	23	7	280	560
26102-01-03002555	stainless steel	grey	30	25	M8	23	7	180	396
26102-01-03003055	stainless steel	grey	30	30	M8	23	7	168	504
26102-01-03004055	stainless steel	grey	30	40	M8	23	7	88	308
26102-01-04002055	stainless steel	grey	40	20	M8	23	7	700	840
26102-01-04003055	stainless steel	grey	40	30	M8	23	7	273	820
26102-01-04004055	stainless steel	grey	40	40	M8	23	7	189	660
26102-01-05002055	stainless steel	grey	50	20	M10	28	8	1471	2500
26102-01-05002555	stainless steel	grey	50	25	M10	28	8	630	1386
26102-01-05003055	stainless steel	grey	50	30	M10	28	8	545	1635
26102-01-05004055	stainless steel	grey	50	40	M10	28	8	310	1116
26102-01-05005055	stainless steel	grey	50	50	M10	28	8	180	900
26102-01-06004055	stainless steel	grey	60	40	M10	28	8	500	1750
26102-01-07004555	stainless steel	grey	70	45	M10	28	8	600	2400
26102-01-07502555	stainless steel	grey	75	25	M12	37	10	2440	3660
26102-01-07504055	stainless steel	grey	75	40	M12	37	10	700	2450
26102-01-07505055	stainless steel	grey	75	50	M12	37	10	520	2600
26102-01-07505555	stainless steel	grey	75	55	M12	37	10	396	2178