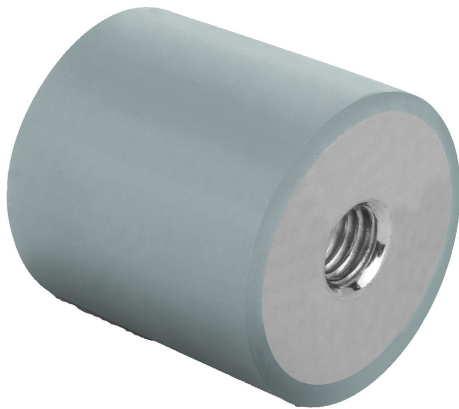


Item description/product images



Description

Material:

Metal parts 1.4401 stainless steel.
Elastomer natural rubber, medium hardness Shore 55A, grey.

Version:

Stainless steel bright.

Note:

The rubber buffers are widely-used construction elements for elastic mounting. They are used, among other things, as mountings for aggregates, motors, compressors, pumps and testing machinery.

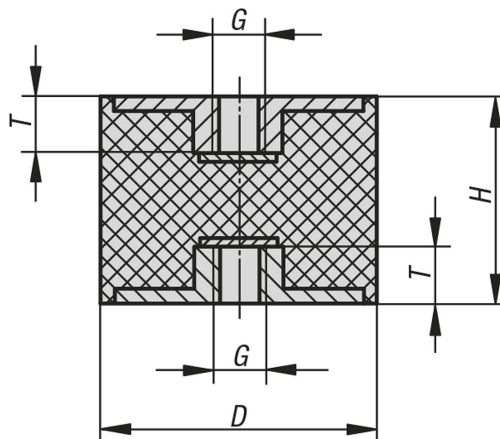
Temperature range:

-30 °C to +80 °C

On request:

Metal parts 1.4301 stainless steel.

Drawings



Overview of items

Order No.	Main material	Component colour	D	H	G	T	Spring stiffness N/mm	Load N
26104-01-01001055	stainless steel	grey	10	10	M4	4	100	50
26104-01-01001555	stainless steel	grey	10	15	M4	4	50	50
26104-01-01501555	stainless steel	grey	15	15	M4	4	100	100
26104-01-02002055	stainless steel	grey	20	20	M6	5	230	276
26104-01-02002555	stainless steel	grey	20	25	M6	5	120	180
26104-01-02502055	stainless steel	grey	25	20	M6	5	230	276
26104-01-02502555	stainless steel	grey	25	25	M6	5	110	165
26104-01-02503055	stainless steel	grey	25	30	M6	5	80	160
26104-01-03002055	stainless steel	grey	30	20	M8	7	425	637
26104-01-03003055	stainless steel	grey	30	30	M8	7	175	350
26104-01-03004055	stainless steel	grey	30	40	M8	7	133	400
26104-01-04003055	stainless steel	grey	40	30	M8	7	530	1060
26104-01-04004055	stainless steel	grey	40	40	M8	7	222	666
26104-01-05003055	stainless steel	grey	50	30	M10	8	680	1360
26104-01-05004055	stainless steel	grey	50	40	M10	8	333	1000
26104-01-05005055	stainless steel	grey	50	50	M10	8	190	665
26104-01-07504055	stainless steel	grey	75	40	M12	10	750	2250

26104-01 Rubber buffers stainless steel type C cylindrical with internal thread both sides, grey



Overview of items

Order No.	Main material	Component colour	D	H	G	T	Spring stiffness N/mm	Load N
26104-01-07505055	stainless steel	grey	75	50	M12	10	636	2225