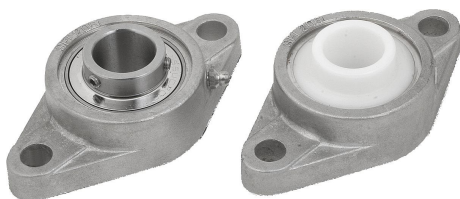


Item description/product images



Description

Material:

Housing 1.4301.
Ball bearing 1.4112.
Plain bearing POM.

Version:

Plain bearing white.
Stainless steel parts bright.

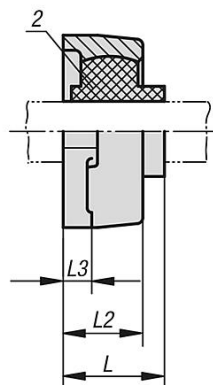
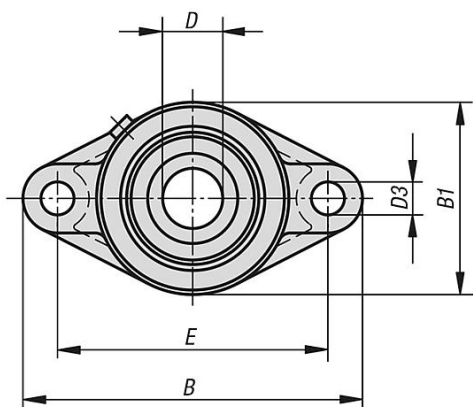
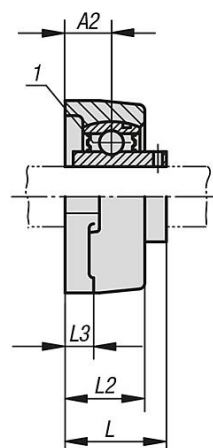
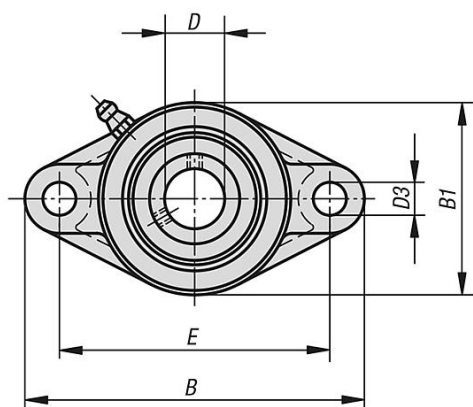
Note:

These stainless steel pillow block bearings have the same operating dimensions as the standard bearing housings of the major manufacturers, and can so be used or exchanged in existing constructions.

Drawing reference:

- 1) ball bearing
- 2) plain bearing

Drawings



Overview of items

With ball bearing

Order No.	Component material	Housing	D	B	E	B1	D3	L	L2	L3	A2
24244-01-12201	stainless steel	201	12	112	90	60	11	33	26	11	14,7
24244-01-15202	stainless steel	202	15	112	90	60	11	33	26	11	14,7
24244-01-20204	stainless steel	204	20	112	90	60	11	33	26	11	14,7
24244-01-25205	stainless steel	205	25	125	99	67,5	11,5	35,5	27	13	15,8
24244-01-30206	stainless steel	206	30	141	117	80	11,5	40	30,2	14,3	17,8
24244-01-35207	stainless steel	207	35	156	130	90	13	44,5	34	14,3	19,1
24244-01-40208	stainless steel	208	40	172	144	100	13	51,2	36	14,3	21
24244-01-112201	POM	201	12	112	90	60	11	33	26	11	-
24244-01-115202	POM	202	15	112	90	60	11	33	26	11	-
24244-01-120204	POM	204	20	112	90	60	11	33	26	11	-
24244-01-125205	POM	205	25	125	99	67,5	11,5	35,5	27	13	-
24244-01-130206	POM	206	30	141	117	80	11,5	40	30,2	14,3	-
24244-01-135207	POM	207	35	156	130	90	13	44,5	34	14,3	-
24244-01-140208	POM	208	40	172	144	100	13	51,2	36	14,3	-