

Item description/product images



Description

Material:

Housing plastic.

Ball bearing stainless steel 1.4112.

Plain bearing insert POM.

Bushes and grease nipple stainless steel 1.4301.

Version:

Plain bearing insert white.

Housing green.

Stainless steel parts bright.

Note:

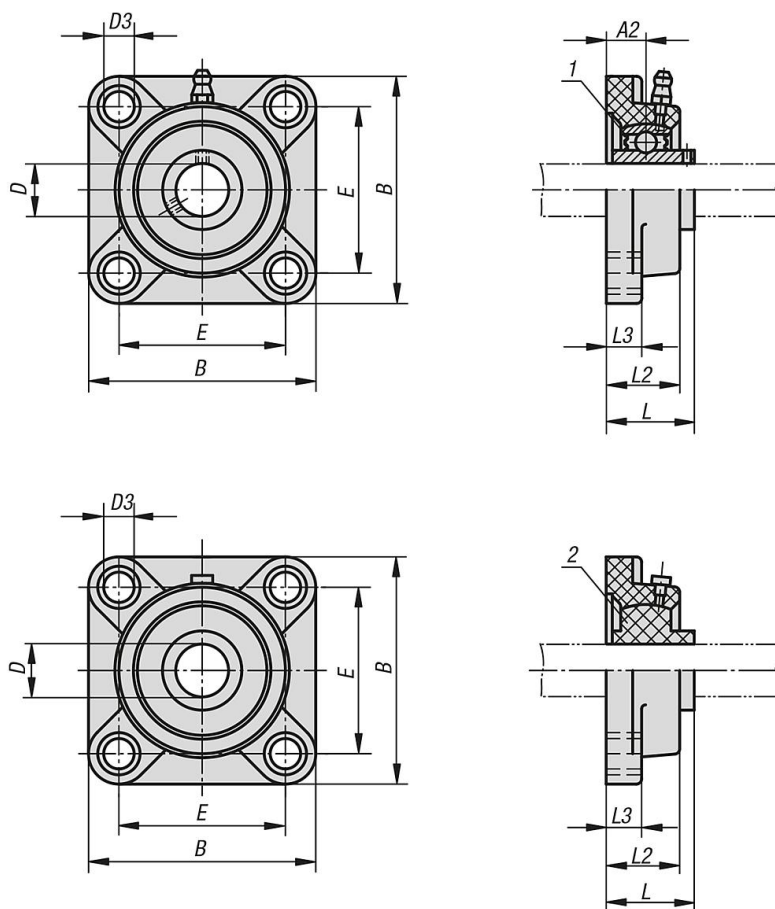
The housings are very robust, hard wearing and shock proof. They are resistant to most alkaline solutions, weak acids (PH 4-9) and brines. In contrast to cast or steel housings the special plastic in these housings prevent the formation of micro-organisms.

Drawing reference:

1) ball bearing

2) plain bearing

Drawings



Overview of items

With ball bearing

Order No.	Component material	Housing	D	B	E	D3	L	L2	L3	A2
24264-01-12201	stainless steel	201	12	87	63,5	11	36,3	27,8	13,4	17,8
24264-01-15202	stainless steel	202	15	87	63,5	11	36,3	27,8	13,4	17,8
24264-01-20204	stainless steel	204	20	87	63,5	11	36,3	27,8	13,4	17,8
24264-01-25205	stainless steel	205	25	95	70	11	36,7	28	14,3	17
24264-01-30206	stainless steel	206	30	107	83	11	41,4	31,5	14,3	19,2
24264-01-35207	stainless steel	207	35	118	92	13	46,9	34,8	15,5	21,5
24264-01-40208	stainless steel	208	40	130	102	14	53,2	37,5	17	23
24264-01-112201	POM	201	12	87	63,5	11	36,3	27,8	13,4	-
24264-01-115202	POM	202	15	87	63,5	11	36,3	27,8	13,4	-
24264-01-120204	POM	204	20	87	63,5	11	36,3	27,8	13,4	-
24264-01-125205	POM	205	25	95	70	11	36,7	28	14,3	-
24264-01-130206	POM	206	30	107	83	11	41,4	31,5	14,3	-
24264-01-135207	POM	207	35	118	92	13	46,9	34,8	15,5	-
24264-01-140208	POM	208	40	130	102	14	53,2	37,5	17	-