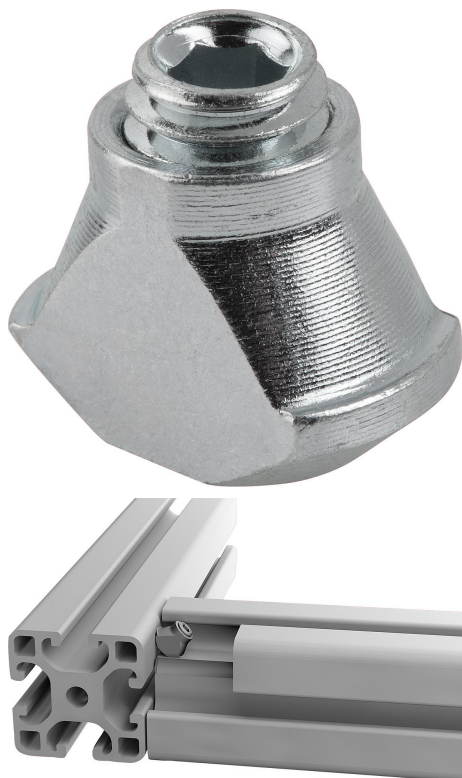


## Item description/product images



## Description

**Material:**

Steel.

**Version:**

Electro zinc-plated.

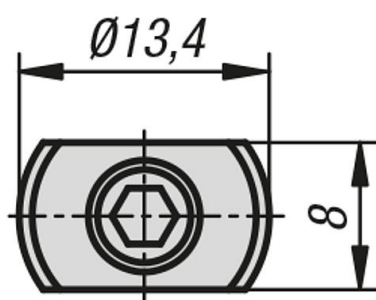
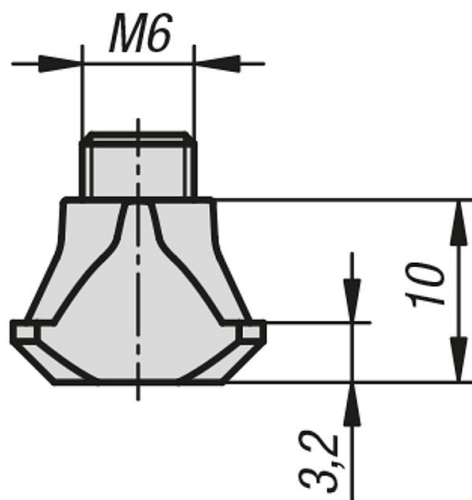
**Note:**

For generating electrostatic discharge (ESD). For safely equalising electrostatic charge of profiles. It is swivelled into the slot and screwed against the profiles at a 45° angle. A conductive connection is established by breaking through the oxide layer.

**Note:**

A potential equaliser is not an electrical connection of the protective earth (PE) system.

## Drawings



## Overview of items

Order No.	Version 2	Slot width
10471-0806	type I	8