

Item description/product images



Description

Material:
Polyamide.
O-ring FPM 70.

Version:
Black.

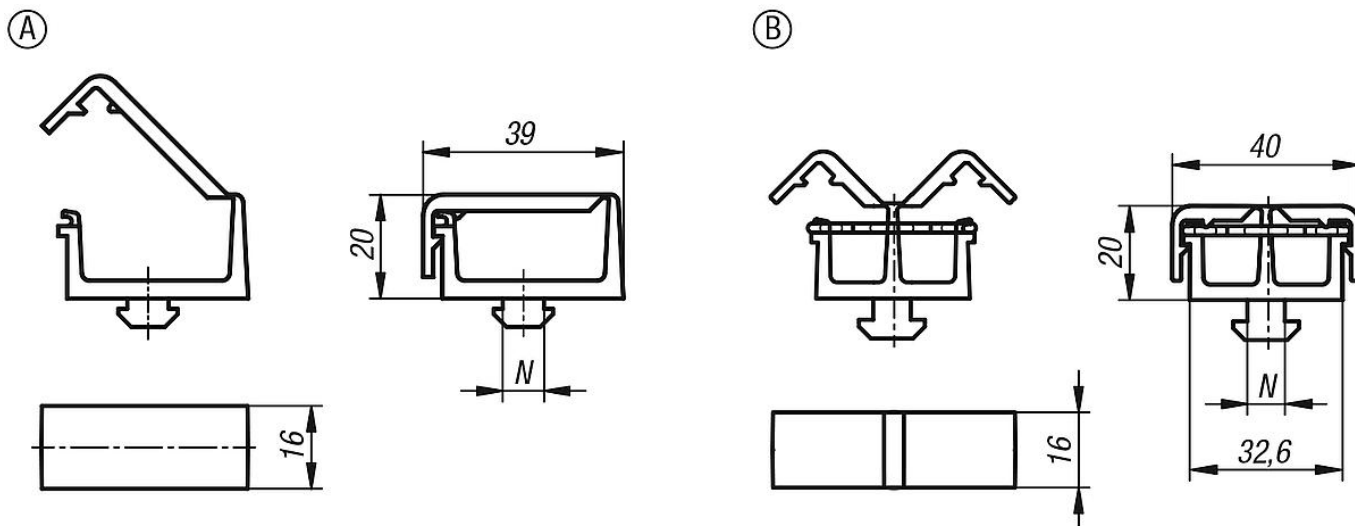
Note:
The cable clip is a fastening component for cables and hoses with a diameter up to 12 mm.



The clip is mounted by inserting the T-key into a T-slot and twisting through 90°. The cables are held in place by the stretched O-ring.

Form A: with one channel.
Form B: with two separate channels.

Drawings



Overview of items

Order No.	Form	Version 2	Slot width	N
10454-1108	A	type I	8	8
10454-1208	A	type B	8	8
10454-1210	A	type B	10	10
10454-2108	B	type I	8	8
10454-2208	B	type B	8	8
10454-2210	B	type B	10	10