

## Item description/product images

**Description****Material:**

Stainless steel 1.4542.

**Version:**

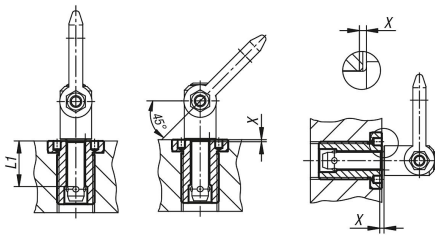
Hardened.

**Note:**

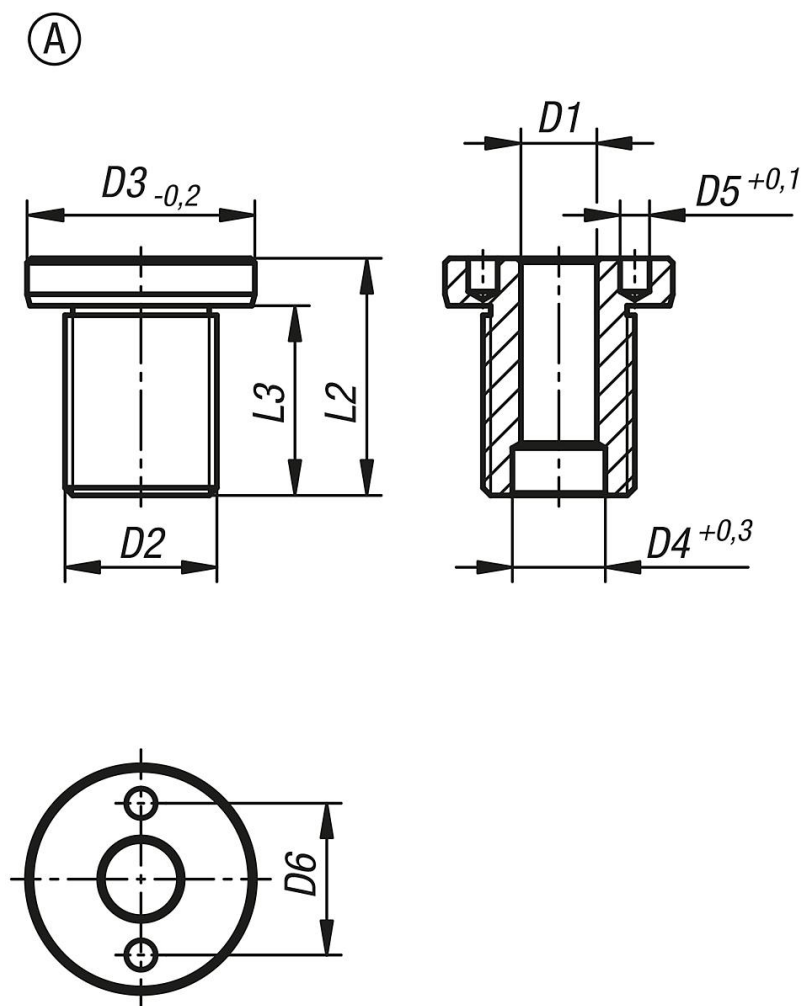
The locating bushes offer a safe and quick option for holding the ball lifting pins. They ensure that installation in a range of supporting materials can be carried out easily and reliably. Can also be used with thin-walled parts and blind holes. This version is suitable for applications which require a flat surface after having been screwed in. They are corrosion-resistant and do not wear easily.

**Accessory:**

Adjustable face pin spanner 96651.



## Drawings



## Overview of items

Order No.	Form	D1	D2	D3	D4	D5	D6	L1	L2	L3	X	Tightening torque Nm
07781-10810	A	8	M16x1,5	24	9,8	3,1	16	10	25	20	1,5	75
07781-10815	A	8	M16x1,5	24	9,8	3,1	16	15	25	20	1,5	75
07781-10825	A	8	M16	24	9,8	3,1	16	25	35	30	1,5	75
07781-10835	A	8	M16	24	9,8	3,1	16	35	45	40	1,5	75
07781-11015	A	10	M20x1,5	28	12,2	5,1	20	15	30	24	1,5	100
07781-11025	A	10	M20x1,5	28	12,2	5,1	20	25	35	29	1,5	100
07781-11035	A	10	M20	28	12,2	5,1	20	35	45	39	1,5	100
07781-11050	A	10	M20	28	12,2	5,1	20	50	60	54	1,5	100
07781-11215	A	12	M24x1,5	32	14,7	5,1	22	15	32	26	1,5	150
07781-11225	A	12	M24x1,5	32	14,7	5,1	22	25	40	34	1,5	150
07781-11625	A	16	M30x2	39	19,2	5,1	30	25	45	39	1,5	200