

Item description/product images



Description

Material:

Black thermoset PF 31.
Bush electro zinc-plated steel.

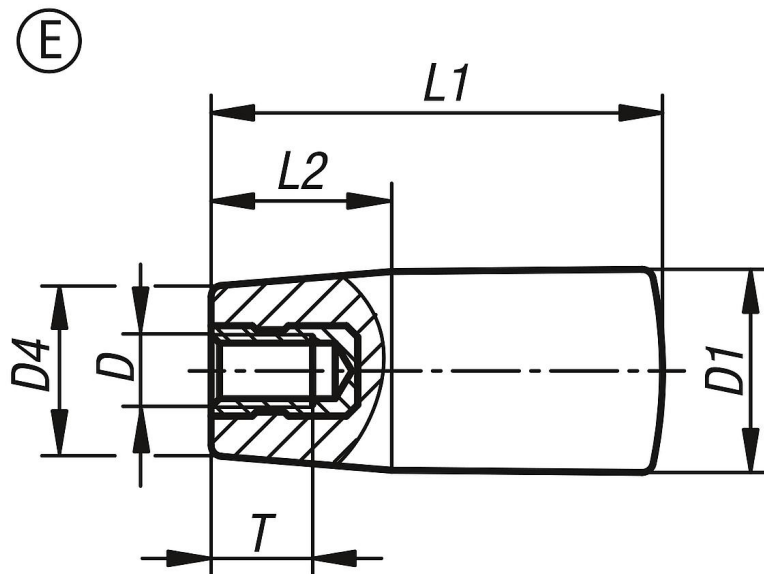
Version:

High-gloss polished.

On request:

Other colours.

Drawings



Overview of items

Order No.	Form	D	D1	D4	L1	L2	T
06319-20518	E	M5	18	15	40	16	7,5
06319-20618	E	M6	18	15	40	16	9
06319-20823	E	M8	23	19	65	24	12
06319-20828	E	M8	28	22	90	32	12
06319-21028	E	M10	28	22	90	32	15