

Item description/product images

**Description****Material:**

Worm screw steel.

Worm wheel CuZn37Mn3Al2PbSi-S40.

Version:

Worm screw with right-hand pitch, case-hardened HV 620 – 700, flanks and hole ground.

Note for ordering:

Wheels/screws can only be combined to form a worm gear if they have the same centre distance and transmission ratio.

Note:

A worm gear consists of a worm screw (shaft) and a worm wheel. Suitable for forming worm drives with a 90° shaft angle. A worm drive enables very large speed reduction ratios with a single stage.

The toothing has the flank shape K. The engagement angle is 15°. The worm gears are pre-bored.

The stated T2 output torques are the permissible output torques on the worm wheel. These apply for an input speed of 2800 rpm of the worm screw.

The worm gears are suitable for continuous operation at high speeds and high torques.

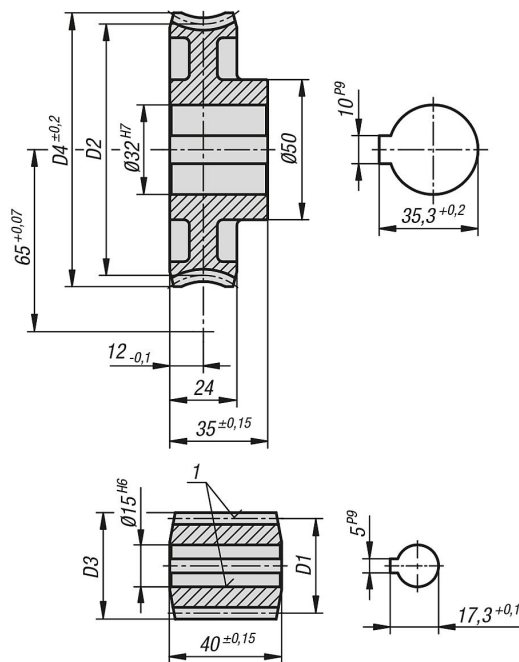
Drawing reference:

1) ground

Item description/product images



Drawings



Overview of items

Order No.	Image	Item	Transmission ratio	Pitch angle	Module	Z1	D1	D3	Z2	D2	D4	Output torque T2 (Nm) mineral grease	Output torque T2 (Nm) mineral oil	Output torque T2 (Nm) synthetic oil
22500-531004		Worm	-	25° 51	3,5	4	32,1	39,1	-	-	-	-	-	-
22500-652006		Worm Wheel	6,25:1	25° 51	3,5	-	-	-	25	97,9	108	101	121	151

Overview of items

Order No.	Image	Item	Transmission ratio	Pitch angle	Module	Z1	D1	D3	Z2	D2	D4	Output torque T2 (Nm) mineral grease	Output torque T2 (Nm) mineral oil	Output torque T2 (Nm) synthetic oil
22500-531008		Worm	-	13° 52	2,5	3	31,29	36,29	-	-	-	-	-	-
22500-652012		Worm Wheel	12,66:1	13° 52	2,5	-	-	-	38	98,71	108	156	187	234
22500-631019		Worm	-	10° 8	2,5	2	28,4	33,4	-	-	-	-	-	-
22500-652020		Worm Wheel	20:1	10° 8	2,5	-	-	-	40	101,6	108	146	176	220
22500-531019		Worm	-	6° 17	3,5	1	32	39	-	-	-	-	-	-
22500-652028		Worm Wheel	28:1	6° 17	3,5	-	-	-	28	98	108	192	230	288
22500-631034		Worm	-	5° 9	2,75	1	30,6	36,1	-	-	-	-	-	-
22500-652036		Worm Wheel	36:1	5° 9	2,75	-	-	-	36	99,4	108	164	197	246
22500-531035		Worm	-	3° 51	2	1	29,78	33,78	-	-	-	-	-	-
22500-652050		Worm Wheel	50:1	3° 51	2	-	-	-	50	100,22	108	137	164	205
22500-531046		Worm	-	2° 47	1,5	1	30,85	33,85	-	-	-	-	-	-
22500-652066		Worm Wheel	66:1	2° 47	1,5	-	-	-	66	99,15	107	122	146	183
22500-651075		Worm	-	1° 59	1,25	1	36,1	38,6	-	-	-	-	-	-
22500-652075		Worm Wheel	75:1	1° 59	1,25	-	-	-	75	93,9	100	125	150	188