

Item description/product images

**Description****Material:**

Worm screw steel.

Worm wheel CuZn37Mn3Al2PbSi-S40.

Version:

Worm screw with right-hand pitch, case-hardened HV 620 – 700, flanks and hole ground.

Note for ordering:

Wheels/screws can only be combined to form a worm gear if they have the same centre distance and transmission ratio.

Note:

A worm gear consists of a worm screw (shaft) and a worm wheel. Suitable for forming worm drives with a 90° shaft angle. A worm drive enables very large speed reduction ratios with a single stage.

The tothing has the flank shape K. The engagement angle is 15°. The worm gears are pre-bored.

The stated T2 output torques are the permissible output torques on the worm wheel. These apply for an input speed of 2800 rpm of the worm screw.

The worm gears are suitable for continuous operation at high speeds and high torques.

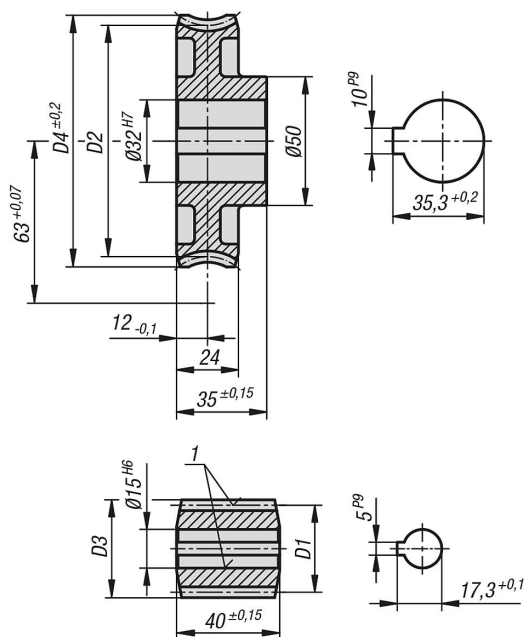
Drawing reference:

1) ground

Item description/product images



Drawings



Overview of items

Order No.	Image	Item	Transmission ratio	Pitch angle	Module	Z1	D1	D3	Z2	D2	D4	Output torque T2 (Nm)		
												mineral grease	mineral oil	synthetic oil
22500-531004		Worm	-	25° 51	3,5	4	32,1	39,1	-	-	-	-	-	-
22500-632006		Worm Wheel	6:1	25° 51	3,5	-	-	-	24	93,9	104	89	107	134
22500-531008		Worm	-	13° 52	2,5	3	31,29	36,29	-	-	-	-	-	-
22500-632012		Worm Wheel	12:1	13° 52	2,5	-	-	-	36	94,71	104	141	170	212
22500-631019		Worm	-	10° 8	2,5	2	28,4	33,4	-	-	-	-	-	-
22500-632019		Worm Wheel	19:1	10° 8	2,5	-	-	-	38	97,6	104	133	159	199

Overview of items

Order No.	Image	Item	Transmission ratio	Pitch angle	Module	Z1	D1	D3	Z2	D2	D4	Output torque T2 (Nm) mineral grease	Output torque T2 (Nm) mineral oil	Output torque T2 (Nm) synthetic oil
22500-531019		Worm	-	6° 17'	3,5	1	32	39	-	-	-	-	-	-
22500-632026		Worm Wheel	26:1	6° 17'	3,5	-	-	-	26	94	104	172	206	258
22500-631034		Worm	-	5° 9'	2,75	1	30,6	36,1	-	-	-	-	-	-
22500-632034		Worm Wheel	34:1	5° 9'	2,75	-	-	-	34	95,4	104	148	178	222
22500-531035		Worm	-	3° 51'	2	1	29,78	33,78	-	-	-	-	-	-
22500-632048		Worm Wheel	48:1	3° 51'	2	-	-	-	48	96,22	104	125	150	187
22500-531046		Worm	-	2° 47'	1,5	1	30,85	33,85	-	-	-	-	-	-
22500-632063		Worm Wheel	63:1	2° 47'	1,5	-	-	-	63	95,15	101	111	133	166
22500-651075		Worm	-	1° 59'	1,25	1	36,1	38,6	-	-	-	-	-	-
22500-632070		Worm Wheel	70:1	1° 59'	1,25	-	-	-	70	89,9	97	112	135	169