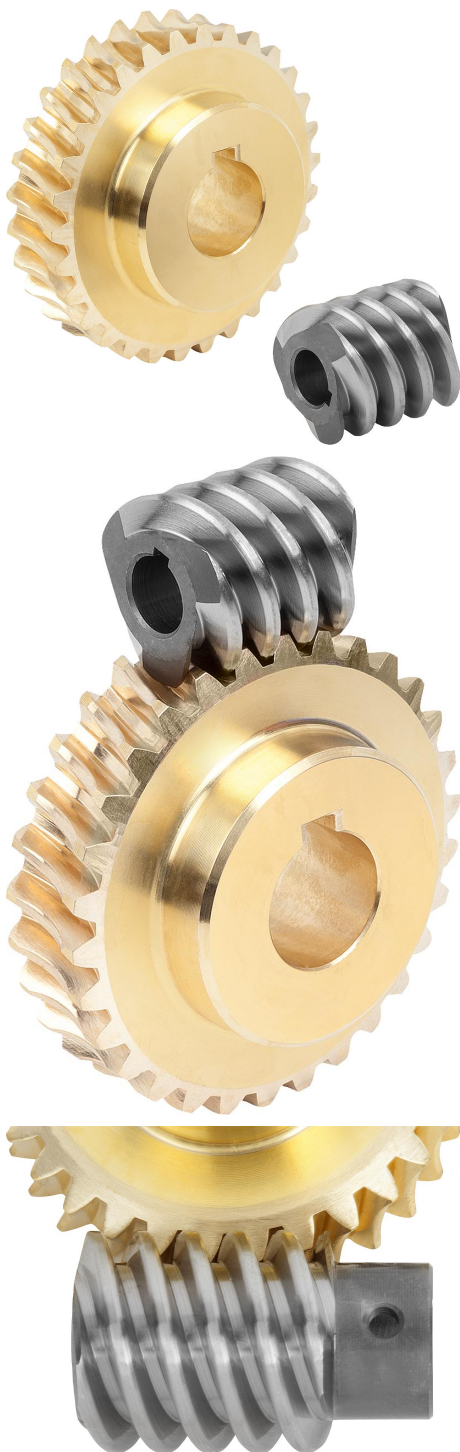


Item description/product images

**Description****Material:**

Worm screw steel.

Worm wheel CuZn37Mn3Al2PbSi-S40.

Version:

Worm screw with right-hand pitch, case-hardened HV 620 – 700, flanks and hole ground.

Note for ordering:

Wheels/screws can only be combined to form a worm gear if they have the same centre distance and transmission ratio.

Note:

A worm gear consists of a worm screw (shaft) and a worm wheel. Suitable for forming worm drives with a 90° shaft angle. A worm drive enables very large speed reduction ratios with a single stage.

The toothing has the flank shape K. The engagement angle is 15°. The worm gears are pre-bored.

The stated T2 output torques are the permissible output torques on the worm wheel. These apply for an input speed of 2800 rpm of the worm screw.

The worm gears are suitable for continuous operation at high speeds and high torques.

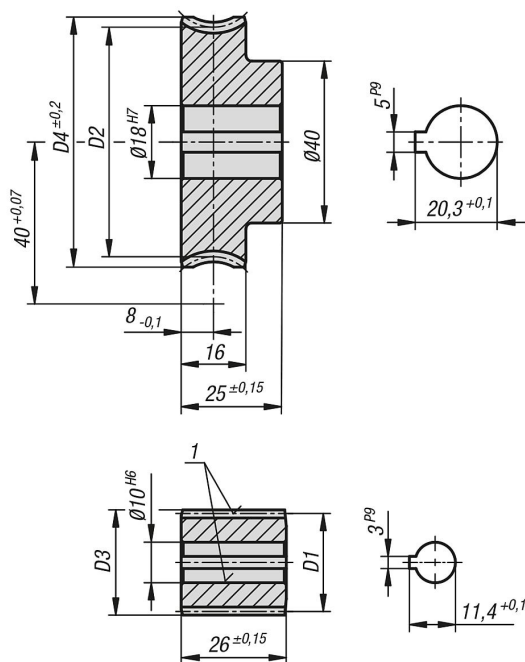
Drawing reference:

1) ground

Item description/product images



Drawings



Overview of items

Order No.	Image	Item	Transmission ratio	Pitch angle	Module	Z1	D1	D3	Z2	D2	D4	Output torque T2 (Nm)		
												mineral grease	mineral oil	synthetic oil
22500-401006		Worm	-	21° 19'	2	4	22	26	-	-	-	29,5	35,4	44,2
22500-402006		Worm Wheel	6,75:1	21° 19'	2	-	-	-	27	58	64	29,5	35,4	44,2

Overview of items

Order No.	Image	Item	Transmission ratio	Pitch angle	Module	Z1	D1	D3	Z2	D2	D4	Output torque T2 (Nm) mineral grease	Output torque T2 (Nm) mineral oil	Output torque T2 (Nm) synthetic oil
22500-401008		Worm	-	16° 35	2,25	3	23,64	28,14	-	-	-	27,5	33	41,2
22500-402008		Worm Wheel	8:1	16° 35	2,25	-	-	-	24	56,36	62,5	27,5	33	41,2
22500-401010		Worm	-	16° 1	1,9	3	20,66	24,46	-	-	-	29,5	35,4	44,2
22500-402010		Worm Wheel	10:1	16° 1	1,9	-	-	-	30	59,34	65	29,5	35,4	44,2
22500-401012		Worm	-	10° 21	1,5	3	25,05	28,05	-	-	-	25,2	30,2	37,8
22500-402012		Worm Wheel	12:1	10° 21	1,5	-	-	-	36	54,95	60	25,2	30,2	37,8
22500-401015		Worm	-	9° 53	1,9	2	22,14	25,94	-	-	-	28	33,6	42
22500-402015		Worm Wheel	15:1	9° 53	1,9	-	-	-	30	57,86	64	28	33,6	42
22500-401020		Worm	-	8° 59	1,5	2	19,2	22,2	-	-	-	28,9	34,6	43,3
22500-402020		Worm Wheel	20:1	8° 59	1,5	-	-	-	40	60,8	66	28,9	34,6	43,3
22500-401025		Worm	-	5° 58	1,15	2	22,15	24,45	-	-	-	24,4	29,2	36,6
22500-402025		Worm Wheel	25:1	5° 58	1,15	-	-	-	50	57,85	62	24,4	29,2	36,6
22500-401028		Worm	-	4° 47	2	1	24	28	-	-	-	28,4	34	42,6
22500-402028		Worm Wheel	28:1	4° 47	2	-	-	-	28	56	61,5	28,4	34	42,6
22500-401030		Worm	-	5° 50	2	1	19,68	23,68	-	-	-	30,1	36,1	45,1
22500-402030		Worm Wheel	30:1	5° 50	2	-	-	-	30	60,32	66	30,1	36,1	45,1
22500-401035		Worm	-	5° 26	1,75	1	18,48	21,98	-	-	-	31	37,2	46,5
22500-402035		Worm Wheel	35:1	5° 26	1,75	-	-	-	35	61,52	67	31	37,2	46,5

Overview of items

Order No.	Image	Item	Transmission ratio	Pitch angle	Module	Z1	D1	D3	Z2	D2	D4	Output torque T2 (Nm) mineral grease	Output torque T2 (Nm) mineral oil	Output torque T2 (Nm) synthetic oil
22500-401036		Worm	-	3° 19	1,5	1	25,91	28,91	-	-	-	23,9	28,6	35,8
22500-402036		Worm Wheel	36:1	3° 19	1,5	-	-	-	36	54,09	59	23,9	28,6	35,8
22500-401040		Worm	-	4° 20	1,5	1	19,83	22,83	-	-	-	28,3	33,9	42,4
22500-402040		Worm Wheel	40:1	4° 20	1,5	-	-	-	40	60,17	65	28,3	33,9	42,4
22500-401050		Worm	-	4° 8	1,25	1	17,3	19,8	-	-	-	27	32,4	40,5
22500-402050		Worm Wheel	50:1	4° 8	1,25	-	-	-	50	62,7	68	27	32,4	40,5
22500-401056		Worm	-	2° 23	1	1	24	26	-	-	-	21,9	26,2	32,8
22500-402056		Worm Wheel	56:1	2° 23	1	-	-	-	56	56	59	21,9	26,2	32,8
22500-401060		Worm	-	1° 59	0,9	1	25,92	27,72	-	-	-	19,3	23,1	28,9
22500-402060		Worm Wheel	60:1	1° 59	0,9	-	-	-	60	54,08	57,5	19,3	23,1	28,9
22500-401070		Worm	-	3° 3	0,9	1	16,91	18,71	-	-	-	24,1	28,9	36,1
22500-402070		Worm Wheel	70:1	3° 3	0,9	-	-	-	70	63,09	67	24,1	28,9	36,1
22500-401075		Worm	-	1° 48	0,75	1	23,75	25,25	-	-	-	18,8	22,5	28,2
22500-402075		Worm Wheel	75:1	1° 48	0,75	-	-	-	75	56,26	60	18,8	22,5	28,2
22500-401080		Worm	-	2° 10	0,75	1	19,9	21,4	-	-	-	20,1	24,1	30,1
22500-402080		Worm Wheel	80:1	2° 10	0,75	-	-	-	80	60,1	64	20,1	24,1	30,1
22500-401090		Worm	-	2° 22	0,7	1	16,95	18,35	-	-	-	19,1	22,9	28,6
22500-402090		Worm Wheel	90:1	2° 22	0,7	-	-	-	90	63,05	67	19,1	22,9	28,6

Overview of items

Order No.	Image	Item	Transmission ratio	Pitch angle	Module	Z1	D1	D3	Z2	D2	D4	Output torque T2 (Nm) mineral grease	Output torque T2 (Nm) mineral oil	Output torque T2 (Nm) synthetic oil
	